

# RPower OGiV12550FT

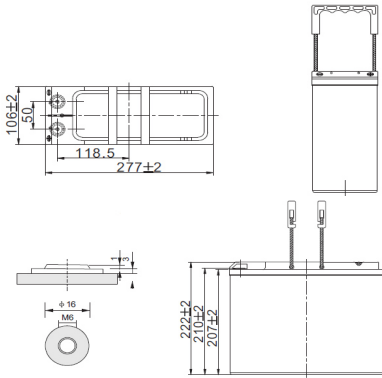
## (12V 55Ah AGM Front-Terminal-Battery)

with Central Degassing

EAN: 4260123689513

Floating Life at 20°C designed for up to 12 years and more

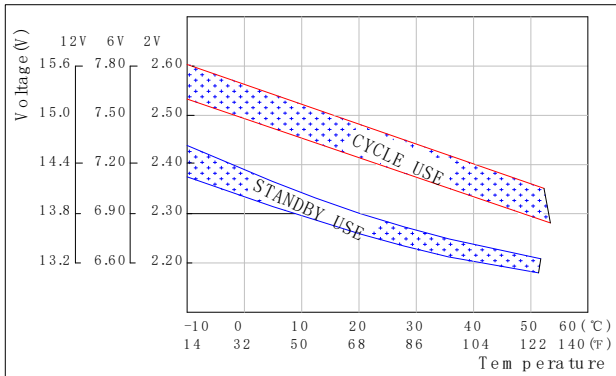
### Dimensions



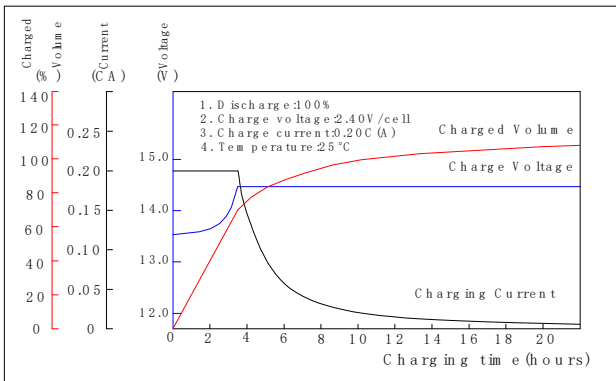
### Specifications

Nominal Voltage	12V	
Capacity (10hr@25°C@1.80V/C)	55Ah	
Dimensions (±2mm)	Length	277mm (10.9inch)
	Width	106mm (4.17inch)
	Height	222mm (8.74inch)
	Total Height	222mm (8.74inch)
Approx. Weight	17.30kg (38.14lbs)	
Maximum charging current	15A	
Maximum discharge current	550A (5sec.)	
Internal resistance	Approx. 6.5mΩ	
Capacity affected by temperature (20hr)	40°C	103%
	25°C	100%
	0°C	86%
	-15°C	65%
Self-discharge (25°C)	3 month	Remaining Capacity: 91%
	6 month	Remaining Capacity: 82%
	12 month	Remaining Capacity: 65%
Nominal operating temperature	25°C ±3°C (77°F±5°F)	
Operating temperature range	-20°C~55°C (-4°F~131°F)	
Float charging voltage (25°C)	13.65 to 13.80V	
Cyclic charging voltage (25°C)	14.40 to 15.00V	
Terminal material	Copper	

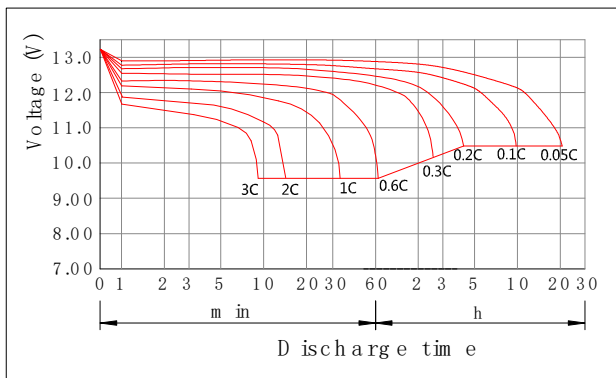
### The Relationship for Charging Voltage and Temperature



### Charging Characteristics (25°C)



### Discharge Characteristics (25°C)



### Constant Current Discharge Characteristics (Ampere / Battery, 25°C)

FV / TIME	5min	10min	15min	20min	30min	45min	1h	2h	3h	4h	5h	6h	8h	10h	20h
10.98V	101,30	86,00	74,70	64,60	50,70	38,60	31,10	17,90	13,00	10,50	8,79	7,70	6,17	5,15	2,73
10.80V	116,70	101,30	86,00	73,00	56,60	42,50	33,90	19,70	14,30	11,30	9,52	8,29	6,62	5,50	2,91
10.50V	132,60	111,90	93,10	78,90	59,50	43,90	34,90	20,10	14,50	11,50	9,64	8,39	6,70	5,56	2,93
10.20V	146,80	118,10	98,30	82,00	61,20	44,90	35,50	20,40	14,70	11,60	9,73	8,46	6,75	5,60	2,95
9.90V	158,50	123,50	102,70	85,00	62,60	45,80	36,10	20,60	14,90	11,80	9,87	8,57	6,84	5,67	2,98
9.60V	163,60	128,70	104,90	86,30	63,50	46,10	36,40	20,70	14,90	11,80	9,90	8,61	6,86	5,68	2,99

### Constant Power Discharge Characteristics (Watt / Battery, 25°C)

FV / TIME	5min	10min	15min	20min	30min	45min	1h	2h	3h	4h	5h	6h	8h	10h	20h
10.98V	1146,40	983,10	861,40	751,50	593,30	453,90	366,90	213,40	155,80	125,20	105,30	92,90	74,70	62,30	33,10
10.80V	1308,40	1149,60	986,40	843,60	659,40	497,40	399,00	233,40	169,80	135,60	114,00	99,60	79,80	66,60	35,20
10.50V	1473,60	1260,00	1059,00	906,60	689,40	513,00	409,80	237,60	172,80	137,40	115,20	100,80	80,40	67,20	35,40
10.20V	1607,80	1312,80	1107,60	933,60	703,80	520,20	415,20	239,40	173,40	138,00	115,80	101,40	81,00	67,20	35,60
9.90V	1707,30	1352,00	1139,60	955,50	711,00	525,00	418,30	241,20	174,60	139,20	117,00	102,50	82,00	67,80	35,70
9.60V	1756,60	1378,80	1145,40	957,60	714,00	526,30	418,80	241,40	175,00	139,40	117,00	102,60	82,20	68,10	35,90

OgiV12550FT

2017-12\_Rev. 01 - AB

# RPower OGiV12800FT

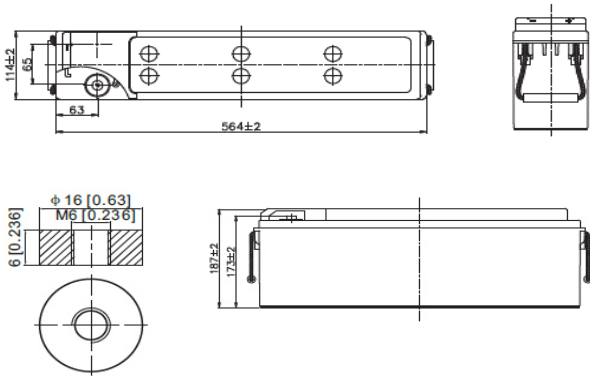
## (12V 80Ah AGM Front-Terminal-Battery)

without Central Degassing

EAN: 4260123689520

Floating Life at 20°C designed for up to 12 years and more

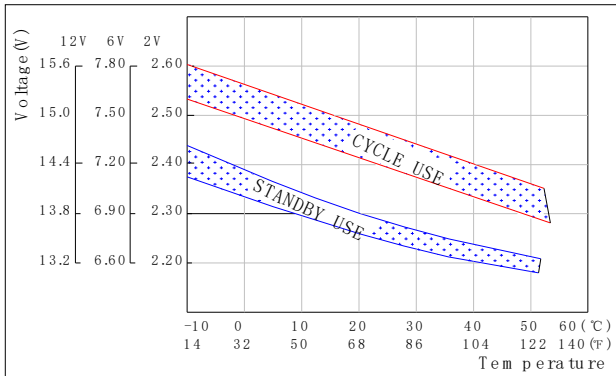
### Dimensions



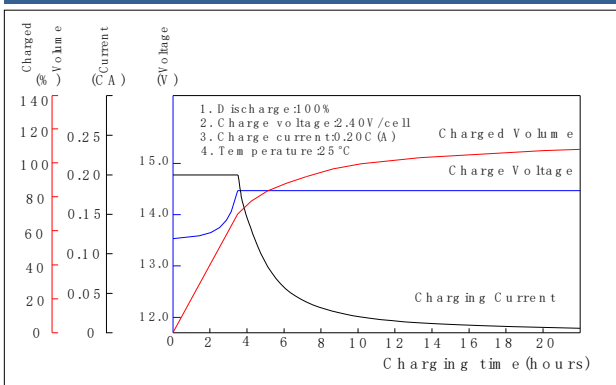
### Specifications

Nominal Voltage	12V	
Capacity (20hr@25°C@1.75V/C)	80Ah	
Dimensions (±2mm)	Length	564mm (22.2inch)
	Width	114mm (4.49inch)
	Height	187mm (7.36inch)
	Total Height	187mm (7.36inch)
Approx. Weight	26.00kg (57.32lbs)	
Maximum charging current	22.5A	
Maximum discharge current	750A (5sec.)	
Internal resistance	Approx. 5mΩ	
Capacity affected by temperature (20hr)	40°C	103%
	25°C	100%
	0°C	86%
	-15°C	65%
Self-discharge (25°C)	3 month	Remaining Capacity: 91%
	6 month	Remaining Capacity: 82%
	12 month	Remaining Capacity: 65%
Nominal operating temperature	25°C ±3°C (77°F±5°F)	
Operating temperature range	-20°C~55°C (-4°F~131°F)	
Float charging voltage (25°C)	13.65 to 13.80V	
Cyclic charging voltage (25°C)	14.40 to 15.00V	
Terminal material	Copper	

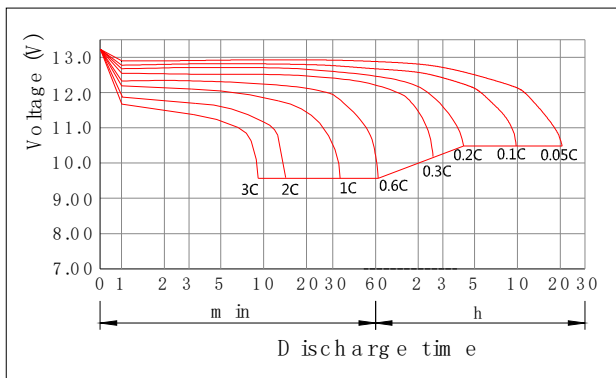
### The Relationship for Charging Voltage and Temperature



### Charging Characteristics (25°C)



### Discharge Characteristics (25°C)



### Constant Current Discharge Characteristics (Ampere / Battery, 25°C)

FV / TIME	5min	10min	15min	20min	30min	45min	1h	2h	3h	4h	5h	6h	8h	10h	20h
10.98V	138,10	130,10	109,40	92,60	71,30	53,30	42,30	24,50	17,80	14,30	12,20	10,60	8,50	7,03	3,72
10.80V	159,10	145,80	120,90	103,50	78,50	57,90	45,80	26,40	19,10	15,30	13,00	11,30	9,03	7,50	3,97
10.50V	180,90	155,70	127,80	108,00	81,80	59,90	47,60	27,20	19,80	15,70	13,10	11,40	9,14	7,59	4,01
10.20V	200,20	163,80	133,80	111,60	83,90	61,20	48,50	27,80	20,00	15,90	13,30	11,50	9,21	7,64	4,04
9.90V	216,10	170,30	137,60	114,60	86,00	63,10	49,80	28,10	20,30	16,10	13,50	11,60	9,33	7,73	4,07
9.60V	223,10	176,40	140,70	116,60	87,30	63,80	50,50	28,30	20,30	16,10	13,50	11,70	9,36	7,74	4,08

### Constant Power Discharge Characteristics (Watt / Battery, 25°C)

FV / TIME	5min	10min	15min	20min	30min	45min	1h	2h	3h	4h	5h	6h	8h	10h	20h
10.98V	1563,20	1486,50	1260,10	1074,30	833,20	627,40	499,20	291,10	212,30	171,10	145,80	127,60	102,30	85,30	45,10
10.80V	1784,20	1654,20	1386,00	1194,00	913,80	678,60	538,20	312,00	227,40	182,40	156,00	135,60	108,60	90,60	47,90
10.50V	2009,50	1753,80	1456,20	1239,60	947,40	699,60	558,00	321,00	235,80	187,20	156,60	137,40	109,80	91,20	48,40
10.20V	2192,40	1820,40	1506,60	1267,80	963,00	709,20	564,00	326,40	237,00	188,40	157,80	138,60	110,40	91,80	48,70
9.90V	2328,20	1863,70	1527,10	1283,90	976,00	723,70	575,20	328,20	237,60	189,60	159,20	139,90	112,20	92,90	48,80
9.60V	2395,40	1889,40	1535,40	1288,20	979,80	724,80	577,20	329,60	239,00	190,10	159,60	140,40	112,20	93,00	49,00

OgiV12800FT

2017-12\_Rev. 01 - AB

# RPower OGiV121000FTP

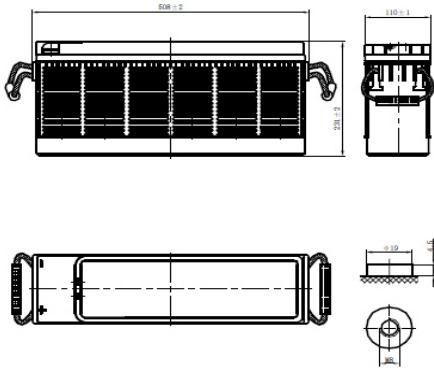
## (12V 100Ah AGM Front-Terminal-Battery)

with Central Degassing

EAN: 4260349822695

Floating Life at 20°C designed for up to 12 years and more

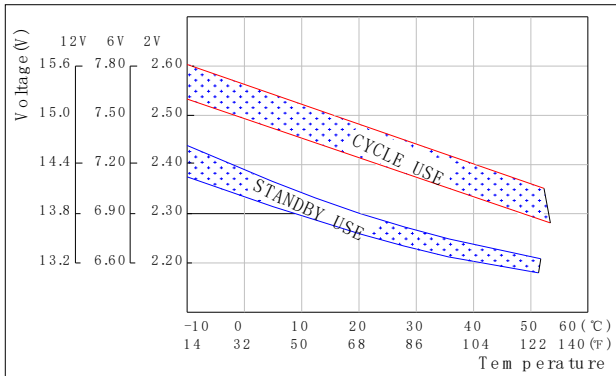
### Dimensions



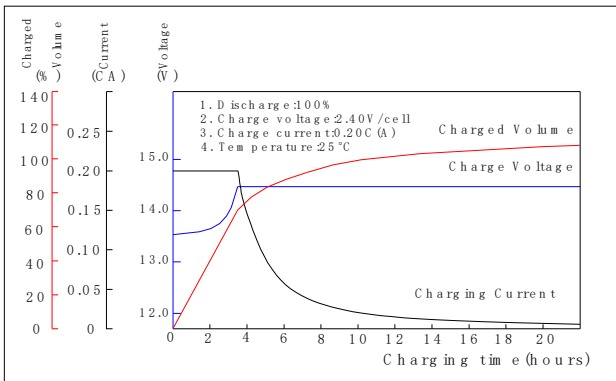
### Specifications

Nominal Voltage		12V
Capacity (10hr@25°C@1.80V/C)		100Ah
Dimensions (±2mm)	Length	508mm (20.0inch)
	Width	110mm (4.33inch)
	Height	231mm (9.09inch)
	Total Height	231mm (9.09inch)
Approx. Weight		32.50kg (71.65lbs)
Maximum charging current		30A
Maximum discharge current		900A (5sec.)
Internal resistance		Approx. 6.3mΩ
Capacity affected by temperature (20hr)	40°C	103%
	25°C	100%
	0°C	86%
	-15°C	65%
Self-discharge (25°C)	3 month	Remaining Capacity: 91%
	6 month	Remaining Capacity: 82%
	12 month	Remaining Capacity: 65%
Nominal operating temperature		25°C ±3°C (77°F±5°F)
Operating temperature range		-20°C~55°C (-4°F~131°F)
Float charging voltage (25°C)		13.65 to 13.80V
Cyclic charging voltage (25°C)		14.40 to 15.00V
Terminal material		Copper

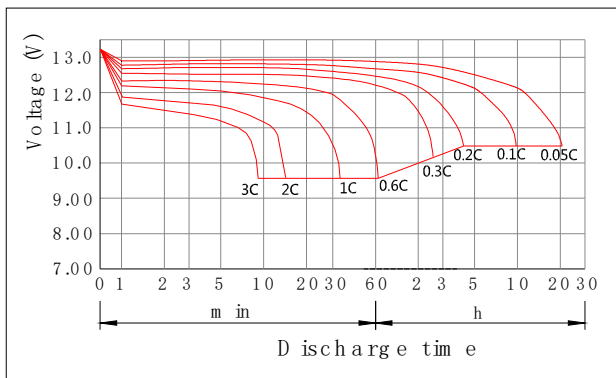
### The Relationship for Charging Voltage and Temperature



### Charging Characteristics (25°C)



### Discharge Characteristics (25°C)



### Constant Current Discharge Characteristics (Ampere / Battery, 25°C)

FV / TIME	5min	10min	15min	20min	30min	45min	1h	2h	3h	4h	5h	6h	8h	10h	20h
10.98V	--	137,00	121,00	107,50	94,00	75,00	63,30	36,00	26,90	21,30	17,90	15,20	11,98	9,90	5,20
10.80V	--	153,00	132,00	115,00	98,00	77,60	64,70	36,65	27,30	21,50	18,00	15,30	12,00	10,00	5,25
10.50V	--	169,00	143,00	122,50	102,00	80,20	66,10	37,30	27,70	21,70	18,10	15,40	12,03	10,00	5,30
10.20V	--	185,00	154,00	130,50	107,00	82,80	67,60	38,05	28,20	22,00	18,30	15,50	12,08	10,00	5,35
9.90V	--	201,00	165,00	138,00	111,00	85,40	69,00	38,70	28,60	22,20	18,40	15,60	12,18	10,10	5,40
9.60V	--	218,00	176,00	145,50	115,00	88,00	70,40	39,43	29,10	22,50	18,50	15,70	12,20	10,10	5,45

### Constant Power Discharge Characteristics (Watt / Battery, 25°C)

FV / TIME	5min	10min	15min	20min	30min	45min	1h	2h	3h	4h	5h	6h	8h	10h	20h
10.98V	--	1632,00	1428,00	1248,00	1068,00	852,00	714,00	439,20	326,40	255,60	213,60	180,60	139,80	115,20	59,40
10.80V	--	1764,00	1524,00	1323,00	1122,00	888,00	738,00	444,60	329,40	258,00	215,40	181,80	140,25	115,20	60,00
10.50V	--	1896,00	1620,00	1398,00	1176,00	924,00	762,00	450,00	332,40	260,40	217,20	183,00	140,70	115,20	60,60
10.20V	--	2022,00	1716,00	1473,00	1230,00	960,00	786,00	455,40	336,00	262,80	219,00	184,20	141,15	115,20	61,20
9.90V	--	2148,00	1818,00	1551,00	1284,00	990,00	804,00	460,80	339,00	265,20	220,80	186,00	142,46	116,35	61,80
9.60V	--	2280,00	1914,00	1626,00	1338,00	1026,00	828,00	466,20	342,00	267,60	222,60	187,20	142,91	116,35	62,40

OGiV121000FTP

2017-12\_Rev. 01 - AB

# RPower OGiV121500FTP

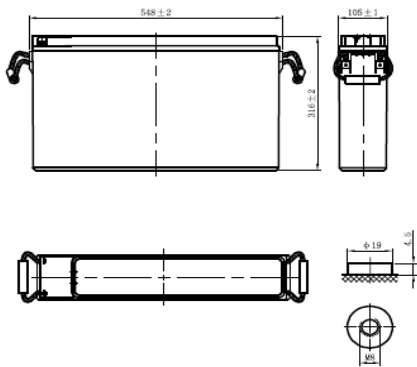
## (12V 150Ah AGM Front-Terminal-Battery)

with Central Degassing

EAN: 4260349822701

Floating Life at 20°C designed for up to 12 years and more

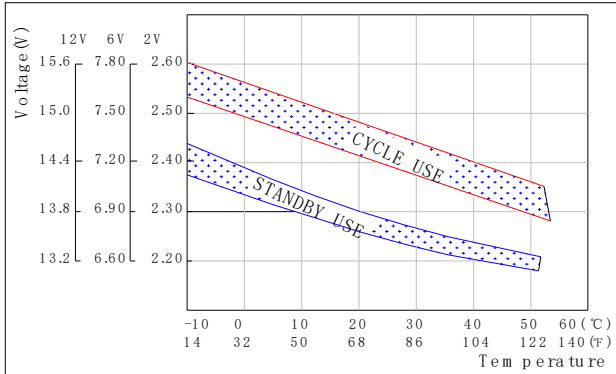
### Dimensions



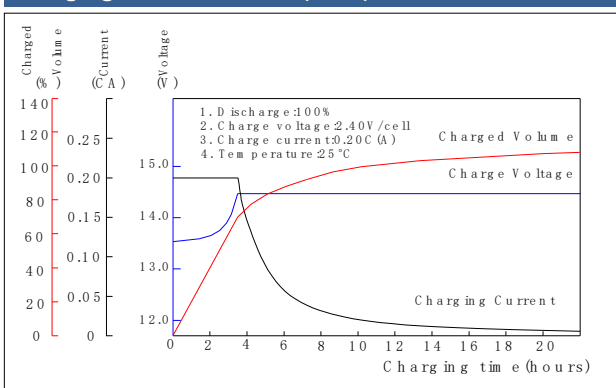
### Specifications

Nominal Voltage	12V	
Capacity (10hr@25°C@1.80V/C)	150Ah	
Dimensions (±2mm)	Length	548mm (21.6inch)
	Width	105mm (4.13inch)
	Height	316mm (12.4inch)
	Total Height	316mm (12.4inch)
Approx. Weight	45.50kg (100.3lbs)	
Maximum charging current	45A	
Maximum discharge current	1.050A (5sec.)	
Internal resistance	Approx. 4.5mΩ	
Capacity affected by temperature (20hr)	40°C	103%
	25°C	100%
	0°C	86%
	-15°C	65%
Self-discharge (25°C)	3 month	Remaining Capacity: 91%
	6 month	Remaining Capacity: 82%
	12 month	Remaining Capacity: 65%
Nominal operating temperature	25°C ±3°C (77°F±5°F)	
Operating temperature range	-20°C~55°C (-4°F~131°F)	
Float charging voltage (25°C)	13.65 to 13.80V	
Cyclic charging voltage (25°C)	14.40 to 15.00V	
Terminal material	Copper	

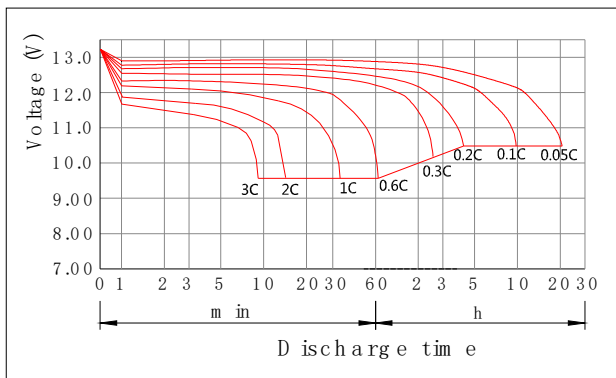
### The Relationship for Charging Voltage and Temperature



### Charging Characteristics (25°C)



### Discharge Characteristics (25°C)



### Constant Current Discharge Characteristics (Ampere / Battery, 25°C)

FV / TIME	5min	10min	15min	20min	30min	45min	1h	2h	3h	4h	5h	6h	8h	10h	20h
10.98V	--	--	172,00	155,00	138,00	110,00	97,00	55,50	41,70	31,00	26,00	22,10	17,00	14,90	7,75
10.80V	--	--	196,00	159,00	146,00	116,00	98,50	56,50	42,70	31,70	26,70	22,50	17,20	15,00	7,85
10.50V	--	--	212,00	165,00	155,00	122,00	102,00	58,00	43,70	32,40	27,20	22,90	17,40	15,10	7,90
10.20V	--	--	232,00	175,00	163,00	127,00	105,00	59,50	44,60	33,10	27,60	23,30	17,60	15,20	7,95
9.90V	--	--	250,00	185,00	170,00	132,00	108,00	61,00	45,50	33,80	27,90	23,70	17,80	15,30	8,00
9.60V	--	--	265,00	195,00	176,00	136,00	110,00	62,00	46,30	34,50	28,20	24,20	18,00	15,40	8,05

### Constant Power Discharge Characteristics (Watt / Battery, 25°C)

FV / TIME	5min	10min	15min	20min	30min	45min	1h	2h	3h	4h	5h	6h	8h	10h	20h
10.98V	--	--	1932,00	1788,00	1398,00	1152,00	960,00	624,00	480,00	362,40	315,00	258,00	198,60	165,60	86,40
10.80V	--	--	2028,00	1836,00	1470,00	1200,00	1008,00	642,00	487,20	367,20	321,00	261,00	200,40	166,80	87,00
10.50V	--	--	2214,00	1872,00	1560,00	1260,00	1050,00	666,00	497,40	371,40	327,60	263,40	202,20	168,00	87,60
10.20V	--	--	2382,00	1920,00	1644,00	1308,00	1086,00	684,00	507,60	376,20	334,20	266,40	204,00	169,20	88,20
9.90V	--	--	2544,00	1968,00	1716,00	1356,00	1116,00	696,00	517,20	380,40	339,60	269,40	205,80	170,40	88,80
9.60V	--	--	2688,00	2016,00	1776,00	1392,00	1140,00	708,00	525,60	384,00	344,40	271,80	207,60	171,60	89,40

OGiV121500FTP

2017-12\_Rev. 01 - AB