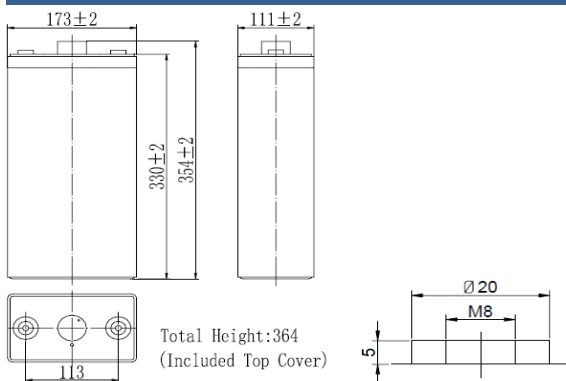


# RPower OGiV22000LP (2V 200Ah AGM Battery)

Floating Life at 20°C designed for up to 12 years and more

EAN: 4260349823586

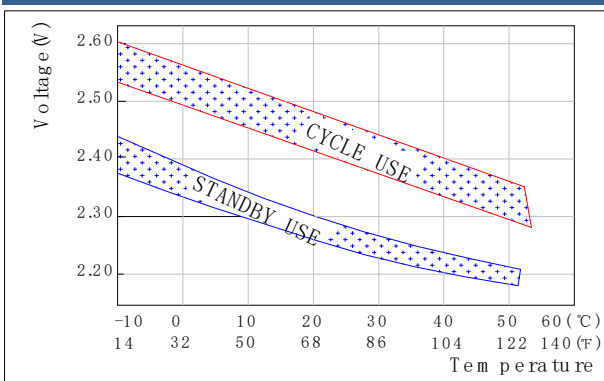
## Dimensions



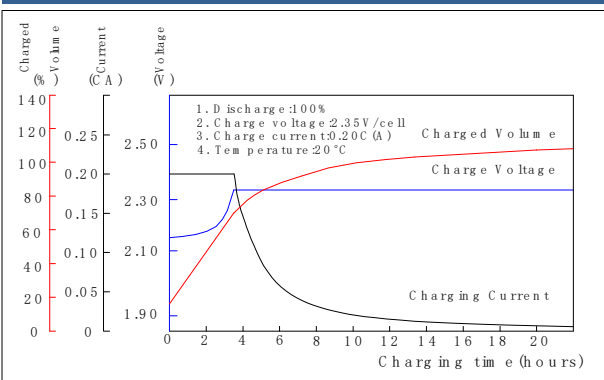
## Specifications

Nominal Voltage	2V	
Capacity (10hr@25°C@1.80V/C)	200Ah	
Dimensions (±2mm)	Length	173mm (6.81inch)
	Width	111mm (4.37inch)
	Height	329mm (13.0inch)
	Total Height	364mm (14.3inch)
Approx. Weight	13.70kg (30.20lbs)	
Maximum charging current	40A	
Maximum discharge current	1.000A (5sec.)	
Internal resistance	Approx. 0.67mΩ	
Capacity affected by temperature (10hr)	40°C	103%
	25°C	100%
	0°C	86%
	-15°C	65%
Self-discharge (25°C)	3 month	Remaining Capacity: 91%
	6 month	Remaining Capacity: 82%
	12 month	Remaining Capacity: 65%
Nominal operating temperature	25°C ±3°C (77°F±5°F)	
Operating temperature range	-20°C~55°C (-4°F~131°F)	
Float charging voltage (25°C)	2.28 to 2.30V	
Cyclic charging voltage (25°C)	2.40 to 2.50V	
Terminal material	Copper	

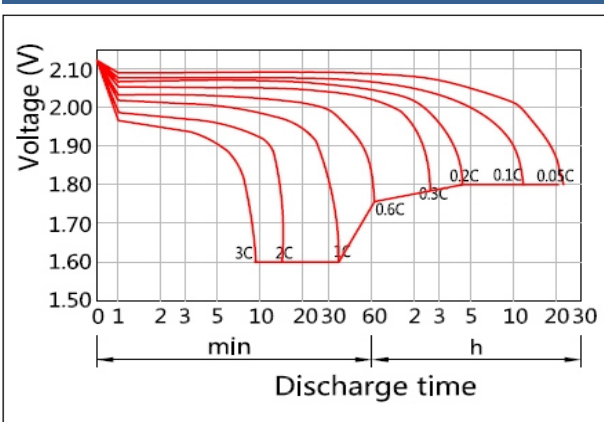
## The Relationship for Charging Voltage and Temperature



## Charging Characteristics (25°C)



## Discharge Characteristics (25°C)



## Constant Current Discharge Characteristics (Ampere / Battery, 25°C)

FV / TIME	5min	10min	15min	20min	30min	45min	1h	2h	3h	4h	5h	6h	8h	10h	20h
1.83V	--	--	216,31	182,36	147,44	123,19	95,84	57,52	44,81	36,96	32,30	27,65	21,92	19,40	10,21
1.80V	--	--	223,00	188,00	152,00	127,00	98,80	59,30	46,20	38,10	33,30	28,50	22,60	20,00	10,53
1.75V	--	--	228,00	199,00	161,00	134,00	105,00	62,30	48,30	39,70	34,50	29,50	23,20	20,50	10,77
1.70V	--	--	252,00	210,00	169,00	141,00	109,00	65,00	50,30	41,10	35,50	30,30	23,80	20,90	10,89
1.65V	--	--	266,00	222,00	178,00	147,00	114,00	67,50	52,10	42,30	36,50	31,00	24,20	21,20	11,14
1.60V	--	--	279,00	233,00	186,00	154,00	118,00	69,80	53,80	43,50	37,30	31,70	24,60	21,40	11,14

## Constant Power Discharge Characteristics (Watt / Battery, 25°C)

FV / TIME	5min	10min	15min	20min	30min	45min	1h	2h	3h	4h	5h	6h	8h	10h	20h
1.83V	--	--	2322,18	2031,18	1740,18	1501,56	1111,62	698,40	523,80	444,07	396,34	335,23	258,41	212,43	116,83
1.80V	--	--	2394,00	2094,00	1794,00	1548,00	1146,00	720,00	540,00	457,80	408,60	345,60	266,40	219,00	120,44
1.75V	--	--	2544,00	2214,00	1884,00	1596,00	1212,00	750,00	558,60	471,60	418,80	353,40	272,40	223,20	122,64
1.70V	--	--	2694,00	2340,00	1986,00	1650,00	1278,00	780,00	576,00	483,60	427,80	361,20	277,80	227,40	125,58
1.65V	--	--	2844,00	2460,00	2076,00	1704,00	1338,00	810,00	592,80	495,00	436,80	367,80	282,00	231,00	127,05
1.60V	--	--	2988,00	2574,00	2166,00	1758,00	1398,00	834,00	606,00	504,60	444,60	373,80	285,60	232,80	128,52

OgiV22000LP

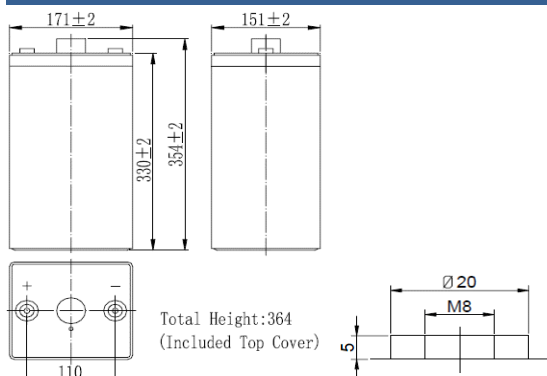
2017-12\_Rev. 01 - AB

# RPower OGiV23000LP (2V 300Ah AGM Battery)

Floating Life at 20°C designed for up to 12 years and more

EAN: 4260349823593

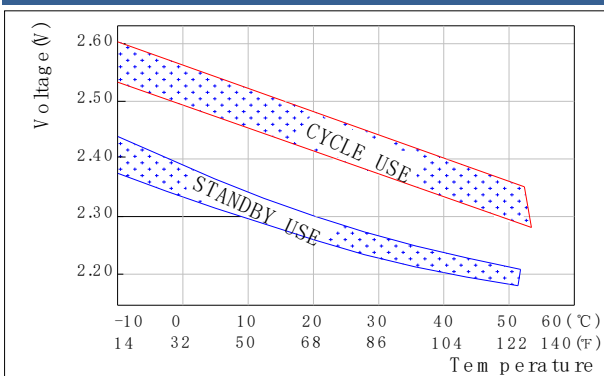
## Dimensions



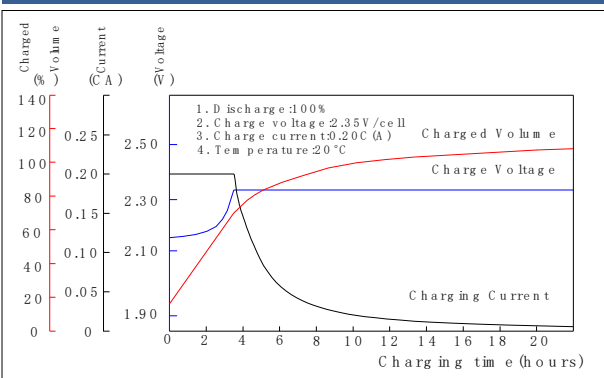
## Specifications

Nominal Voltage	2V	
Capacity (10hr@25°C@1.80V/C)	300Ah	
Dimensions (±2mm)	Length	171mm (6.73inch)
	Width	151mm (5.94inch)
	Height	330mm (13.0inch)
	Total Height	364mm (14.3inch)
Approx. Weight	19.30kg (42.55lbs)	
Maximum charging current	60A	
Maximum discharge current	1.500A (5sec.)	
Internal resistance	Approx. 0.55mΩ	
Capacity affected by temperature (10hr)	40°C	103%
	25°C	100%
	0°C	86%
	-15°C	65%
Self-discharge (25°C)	3 month	Remaining Capacity: 91%
	6 month	Remaining Capacity: 82%
	12 month	Remaining Capacity: 65%
Nominal operating temperature	25°C ±3°C (77°F±5°F)	
Operating temperature range	-20°C~55°C (-4°F~131°F)	
Float charging voltage (25°C)	2.28 to 2.30V	
Cyclic charging voltage (25°C)	2.40 to 2.50V	
Terminal material	Copper	

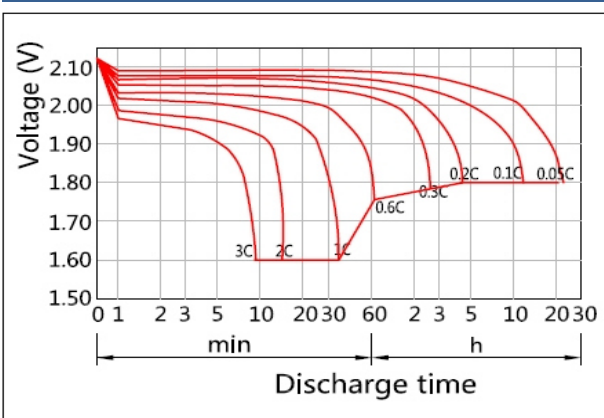
## The Relationship for Charging Voltage and Temperature



## Charging Characteristics (25°C)



## Discharge Characteristics (25°C)



## Constant Current Discharge Characteristics (Ampere / Battery, 25°C)

FV / TIME	5min	10min	15min	20min	30min	45min	1h	2h	3h	4h	5h	6h	8h	10h	20h
1.83V	--	--	326,89	286,15	244,44	183,33	152,29	92,25	72,36	57,23	48,21	41,32	32,79	29,10	15,20
1.80V	--	--	337,00	295,00	252,00	189,00	157,00	95,10	74,60	59,00	49,70	42,60	33,80	30,00	15,67
1.75V	--	--	359,00	313,00	266,00	200,00	164,00	99,00	77,20	61,10	51,50	44,00	34,70	30,70	16,03
1.70V	--	--	380,00	331,00	281,00	209,00	171,00	103,00	79,80	63,10	53,10	45,30	35,60	31,30	16,40
1.65V	--	--	401,00	348,00	295,00	219,00	179,00	106,00	82,50	65,00	54,50	46,40	36,30	31,80	16,65
1.60V	--	--	421,00	365,00	309,00	228,00	185,00	110,00	85,00	66,70	55,80	47,30	36,80	32,10	16,77

## Constant Power Discharge Characteristics (Watt / Battery, 25°C)

FV / TIME	5min	10min	15min	20min	30min	45min	1h	2h	3h	4h	5h	6h	8h	10h	20h
1.83V	--	--	3538,56	3154,44	2764,50	2269,80	1815,84	1222,20	867,18	686,76	582,00	492,95	384,12	335,23	175,24
1.80V	--	--	3648,00	3252,00	2850,00	2340,00	1872,00	1260,00	894,00	708,00	600,00	508,20	396,00	345,60	180,66
1.75V	--	--	3870,00	3438,00	3006,00	2436,00	1950,00	1302,00	924,00	732,00	618,00	522,00	404,40	351,60	184,33
1.70V	--	--	4092,00	3624,00	3156,00	2526,00	2034,00	1332,00	948,00	750,00	630,00	535,20	414,00	358,80	188,01
1.65V	--	--	4308,00	3810,00	3312,00	2622,00	2112,00	1374,00	972,00	768,00	642,00	544,80	420,60	364,20	190,94
1.60V	--	--	4530,00	3996,00	3468,00	2712,00	2196,00	1410,00	996,00	786,00	654,00	553,20	426,00	367,80	192,41

OgiV23000LP

2017-12\_Rev. 01 - AB