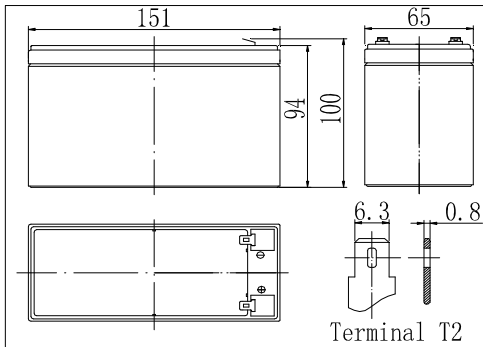


RPower GELOGiV1270L (12V 7Ah GEL Battery)

Floating Life at 20°C designed for up to 12 years

EAN: 4260349823753

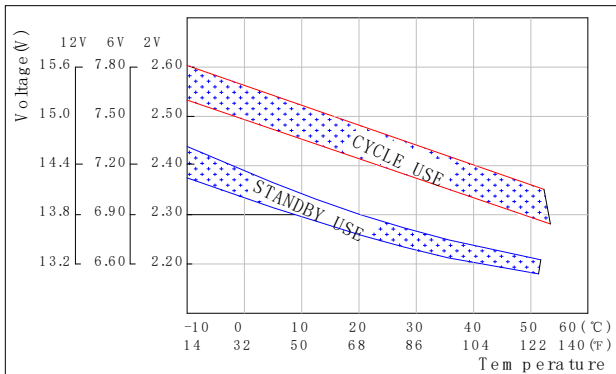
Dimensions



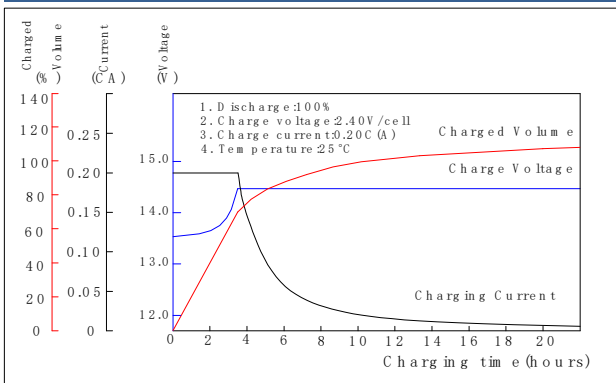
Specifications

Nominal Voltage		12V
Capacity (20hr@25°C@1.75V/C)		7Ah
Dimensions (±2mm)	Length	151mm (5.94inch)
	Width	65mm (2.56inch)
	Height	94mm (3.70inch)
	Total Height	100mm (3.94inch)
Approx. Weight		2.40kg (5.29lbs)
Maximum charging current		1.4A
Maximum discharge current		90A (5sec.)
Internal resistance		Approx. 30mΩ
Capacity affected by temperature (10hr)	40°C	103%
	25°C	100%
	0°C	88%
	-15°C	70%
Self-discharge (25°C)	3 month	Remaining Capacity: 94%
	6 month	Remaining Capacity: 88%
	12 month	Remaining Capacity: 75%
Nominal operating temperature		25°C ±3°C (77°F±5°F)
Operating temperature range		-20°C~55°C (-4°F~131°F)
Float charging voltage (25°C)		13.65 to 13.80V
Cyclic charging voltage (25°C)		14.40 to 15.00V
Terminal material		Copper

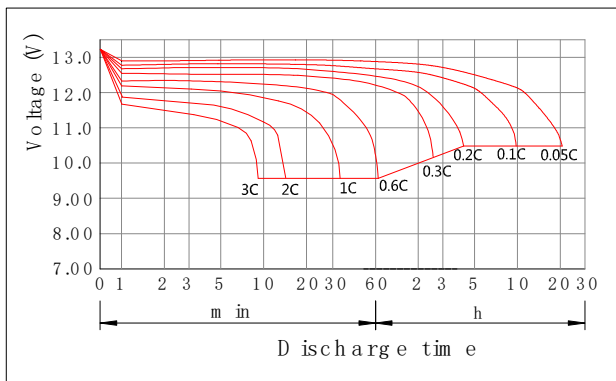
The Relationship for Charging Voltage and Temperature



Charging Characteristics (25°C)



Discharge Characteristics (25°C)



Constant Current Discharge Characteristics (Ampere / Battery, 25°C)

FV / TIME	5min	10min	15min	20min	30min	45min	1h	2h	3h	4h	5h	6h	8h	10h	20h
10.98V	16,00	11,90	10,30	8,50	6,87	5,43	3,98	2,22	1,62	1,27	1,08	0,92	0,76	0,66	0,34
10.80V	16,70	12,50	10,70	8,74	6,97	5,51	4,07	2,32	1,65	1,30	1,09	0,93	0,77	0,67	0,34
10.50V	17,60	13,20	11,00	8,92	7,28	5,76	4,23	2,38	1,69	1,34	1,13	0,96	0,80	0,68	0,35
10.20V	18,00	13,50	11,10	9,18	7,52	5,94	4,41	2,39	1,71	1,36	1,14	0,97	0,81	0,69	0,35
9.90V	18,40	13,80	11,20	9,30	7,67	6,06	4,60	2,43	1,73	1,37	1,16	0,99	0,82	0,70	0,35
9.60V	18,60	13,90	11,30	9,39	7,75	6,13	4,69	2,44	1,76	1,39	1,17	1,00	0,83	0,71	0,35

Constant Power Discharge Characteristics (Watt / Battery, 25°C)

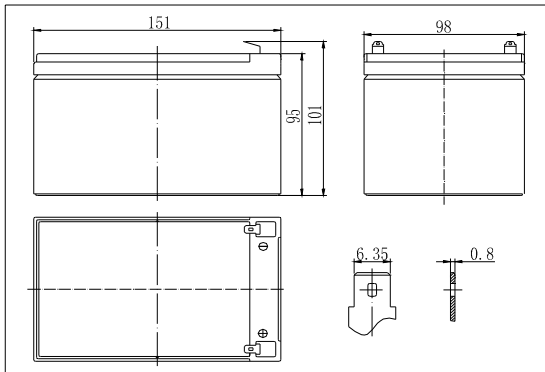
FV / TIME	5min	10min	15min	20min	30min	45min	1h	2h	3h	4h	5h	6h	8h	10h	20h
10.98V	174,00	130,00	112,00	95,60	74,90	59,20	45,20	24,90	18,90	15,00	12,80	10,90	9,12	7,91	4,04
10.80V	182,00	136,00	116,00	98,30	76,10	60,20	46,30	26,00	19,30	15,30	13,00	11,10	9,24	8,06	4,13
10.50V	192,00	144,00	119,00	100,00	79,50	62,80	48,00	26,70	19,70	15,80	13,40	11,40	9,53	8,12	4,22
10.20V	196,00	148,00	121,00	102,00	82,00	64,80	50,10	26,80	20,00	16,00	13,60	11,60	9,66	8,23	4,24
9.90V	200,00	150,00	121,00	103,00	83,70	66,20	52,30	27,20	20,20	16,20	13,80	11,70	9,79	8,35	4,25
9.60V	202,00	151,00	122,00	105,00	84,60	66,80	53,30	27,30	20,50	16,50	14,00	11,90	9,93	8,46	4,27

RPower GELOGiV12120L (12V 12Ah GEL Battery)

Floating Life at 20°C designed for up to 12 years

EAN: 4260349823760

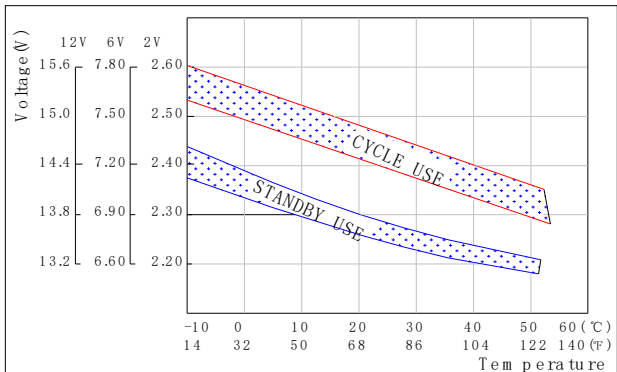
Dimensions



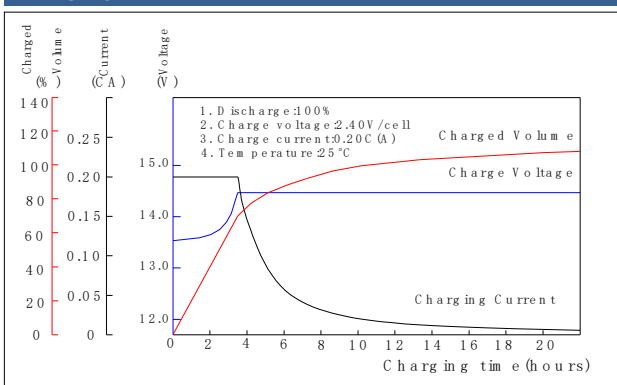
Specifications

Nominal Voltage		12V
Capacity (20hr@25°C@1.75V/C)		12Ah
Dimensions (±2mm)	Length	151mm (5.94inch)
	Width	98mm (3.86inch)
	Height	95mm (3.74inch)
	Total Height	101mm (3.98inch)
Approx. Weight		3.60kg (7.94lbs)
Maximum charging current		2.4A
Maximum discharge current		120A (5sec.)
Internal resistance		Approx. 19mΩ
Capacity affected by temperature (10hr)	40°C	103%
	25°C	100%
	0°C	88%
	-15°C	70%
Self-discharge (25°C)	3 month	Remaining Capacity: 94%
	6 month	Remaining Capacity: 88%
	12 month	Remaining Capacity: 75%
Nominal operating temperature		25°C ±3°C (77°F±5°F)
Operating temperature range		-20°C~55°C (-4°F~131°F)
Float charging voltage (25°C)		13.65 to 13.80V
Cyclic charging voltage (25°C)		14.40 to 15.00V
Terminal material		Copper

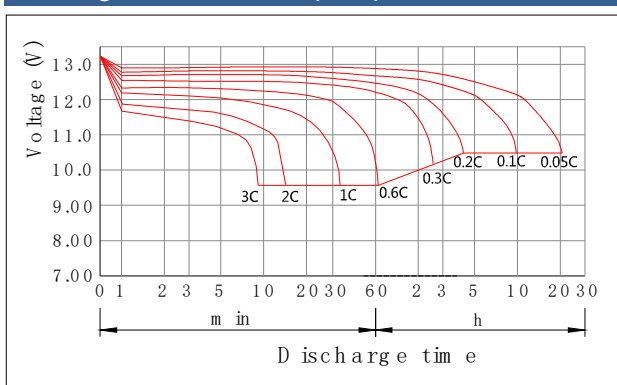
The Relationship for Charging Voltage and Temperature



Charging Characteristics (25°C)



Discharge Characteristics (25°C)



Constant Current Discharge Characteristics (Ampere / Battery, 25°C)

FV / TIME	5min	10min	15min	20min	30min	45min	1h	2h	3h	4h	5h	6h	8h	10h	20h
10.98V	27,40	20,50	17,70	14,60	11,80	9,30	6,82	3,81	2,78	2,18	1,85	1,57	1,31	1,13	0,58
10.80V	28,60	21,40	18,30	15,00	12,00	9,45	6,98	3,98	2,84	2,22	1,87	1,59	1,33	1,15	0,59
10.50V	30,20	22,60	18,80	15,30	12,50	9,87	7,24	4,08	2,89	2,29	1,93	1,64	1,37	1,16	0,60
10.20V	30,90	23,20	19,00	15,70	12,90	10,20	7,56	4,10	2,93	2,32	1,96	1,67	1,39	1,18	0,60
9.90V	31,50	23,60	19,10	15,90	13,20	10,40	7,88	4,16	2,97	2,36	1,99	1,69	1,41	1,19	0,61
9.60V	31,80	23,80	19,30	16,10	13,30	10,50	8,04	4,18	3,01	2,39	2,01	1,71	1,43	1,21	0,61

Constant Power Discharge Characteristics (Watt / Battery, 25°C)

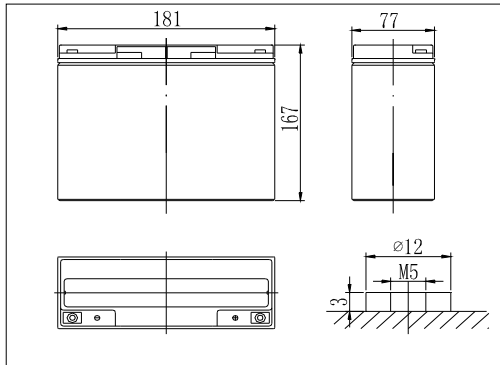
FV / TIME	5min	10min	15min	20min	30min	45min	1h	2h	3h	4h	5h	6h	8h	10h	20h
10.98V	298,00	223,00	192,00	164,00	128,00	102,00	77,50	42,70	32,40	25,80	22,00	18,70	15,60	13,60	6,93
10.80V	312,00	233,00	199,00	168,00	130,00	103,00	79,30	44,60	33,10	26,30	22,30	18,90	15,80	13,80	7,08
10.50V	329,00	246,00	205,00	172,00	136,00	108,00	82,40	45,70	33,70	27,10	23,00	19,50	16,30	13,90	7,24
10.20V	336,00	253,00	207,00	174,00	141,00	111,00	85,90	45,90	34,20	27,50	23,30	19,80	16,60	14,10	7,27
9.90V	343,00	257,00	208,00	177,00	144,00	113,00	89,60	46,60	34,70	27,90	23,60	20,10	16,80	14,30	7,29
9.60V	347,00	259,00	210,00	179,00	145,00	115,00	91,40	46,80	35,20	28,20	23,90	20,40	17,00	14,50	7,32

RPower GELOGiV12170L (12V 17Ah GEL Battery)

Floating Life at 20°C designed for up to 12 years

EAN: 4260123683283

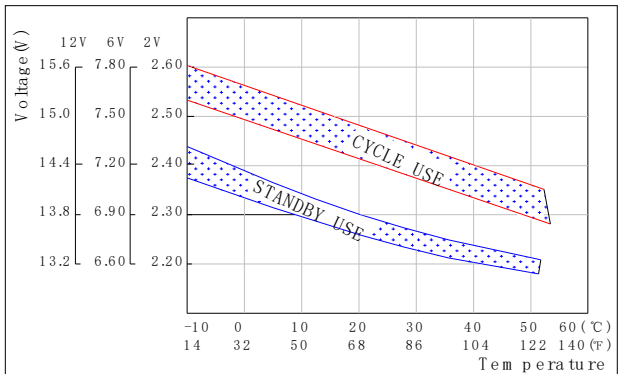
Dimensions



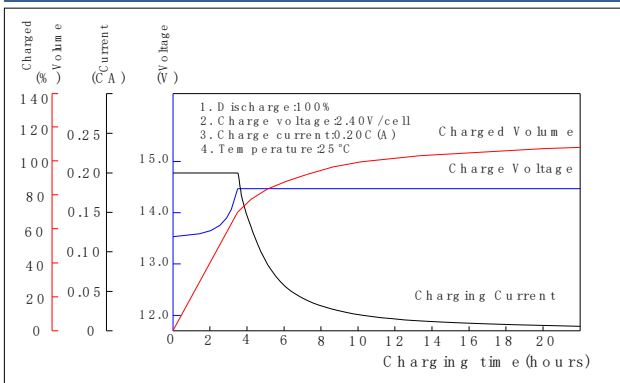
Specifications

Nominal Voltage		12V
Capacity (20hr@25°C@1.80V/C)		17Ah
Dimensions (±2mm)	Length	181mm (7.13inch)
	Width	77mm (3.03inch)
	Height	167mm (6.57inch)
	Total Height	167mm (6.57inch)
Approx. Weight		5.80kg (12.79lbs)
Maximum charging current		4.25A
Maximum discharge current		204A (5sec.)
Internal resistance		Approx. 18mΩ
Capacity affected by temperature (10hr)	40°C	103%
	25°C	100%
	0°C	88%
	-15°C	70%
Self-discharge (25°C)	3 month	Remaining Capacity: 94%
	6 month	Remaining Capacity: 88%
	12 month	Remaining Capacity: 75%
Nominal operating temperature		25°C ±3°C (77°F±5°F)
Operating temperature range		-20°C~55°C (-4°F~131°F)
Float charging voltage (25°C)		13.65 to 13.80V
Cyclic charging voltage (25°C)		14.40 to 15.00V
Terminal material		Copper

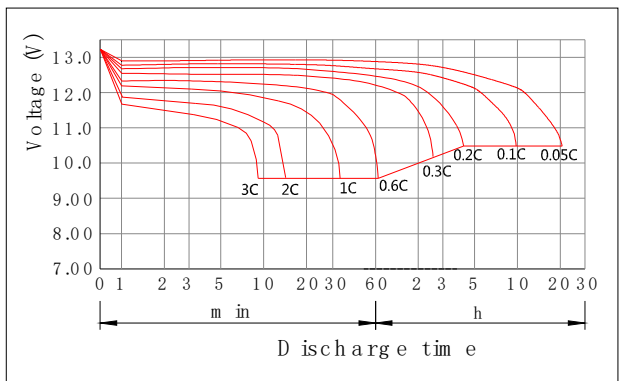
The Relationship for Charging Voltage and Temperature



Charging Characteristics (25°C)



Discharge Characteristics (25°C)



Constant Current Discharge Characteristics (Ampere / Battery, 25°C)

FV / TIME	5min	10min	15min	20min	30min	45min	1h	2h	3h	4h	5h	6h	8h	10h	20h
10.98V	27,30	19,80	16,90	15,40	12,00	9,06	7,58	4,76	3,61	2,97	2,56	2,20	1,76	1,52	0,83
10.80V	30,00	21,30	18,20	16,50	12,60	9,50	7,96	4,95	3,73	3,06	2,62	2,26	1,80	1,55	0,85
10.50V	35,50	24,70	20,70	18,50	13,90	10,30	8,52	5,24	3,94	3,20	2,72	2,34	1,86	1,58	0,87
10.20V	41,80	28,40	23,10	19,90	14,90	10,90	9,01	5,56	4,11	3,31	2,81	2,42	1,91	1,62	0,88
9.90V	45,30	30,10	24,10	20,80	15,40	11,30	9,35	5,70	4,24	3,39	2,86	2,46	1,94	1,64	0,89
9.60V	50,60	33,00	25,90	22,50	16,50	12,10	9,93	5,93	4,41	3,52	2,95	2,52	1,98	1,67	0,90

Constant Power Discharge Characteristics (Watt / Battery, 25°C)

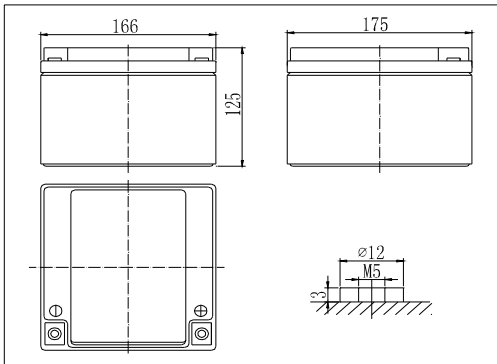
FV / TIME	5min	10min	15min	20min	30min	45min	1h	2h	3h	4h	5h	6h	8h	10h	20h
10.98V	306,60	222,60	191,40	175,80	137,40	105,00	88,20	55,70	42,40	35,00	30,20	26,20	20,90	18,10	9,96
10.80V	333,60	238,20	204,00	186,60	144,60	109,80	92,40	57,80	43,70	35,90	30,90	26,80	21,40	18,50	10,10
10.50V	386,40	271,20	229,80	207,60	157,20	117,60	98,40	61,20	46,10	37,60	32,00	27,60	22,10	18,80	10,40
10.20V	446,40	306,00	252,00	221,40	167,40	124,20	103,80	64,20	47,90	38,70	32,90	28,50	22,70	19,30	10,50
9.90V	475,20	319,80	259,20	227,40	171,60	127,80	106,80	66,00	49,20	39,50	33,50	28,90	23,00	19,50	10,60
9.60V	520,20	344,40	274,20	243,60	182,40	136,20	112,80	67,80	50,90	40,90	34,40	29,50	23,30	19,90	10,70

RPower GELOGiV12260L (12V 26Ah GEL Battery)

Floating Life at 20°C designed for up to 12 years

EAN: 4260123683290

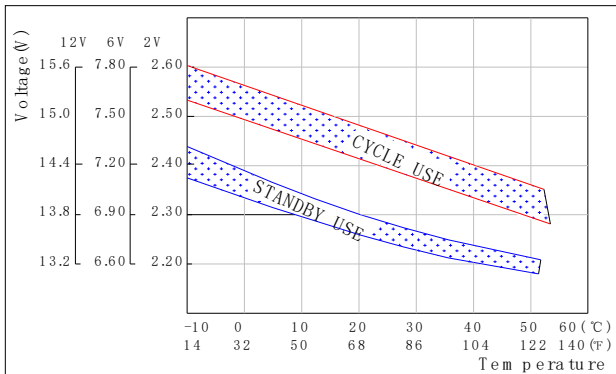
Dimensions



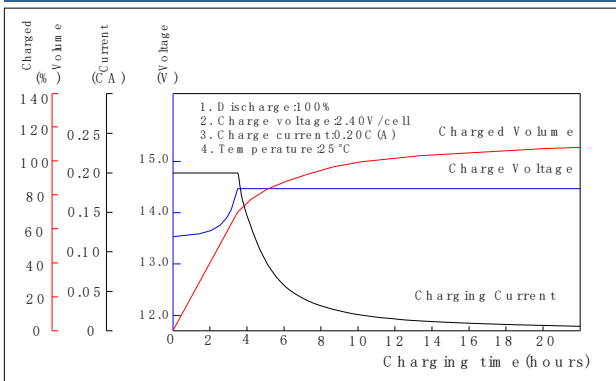
Specifications

Nominal Voltage		12V
Capacity (20hr@25°C@1.80V/C)		26Ah
Dimensions (±2mm)	Length	166mm (6.54inch)
	Width	175mm (6.89inch)
	Height	125mm (4.92inch)
	Total Height	125mm (4.92inch)
Approx. Weight		8.70kg (19.18lbs)
Maximum charging current		6.5A
Maximum discharge current		312A (5sec.)
Internal resistance		Approx. 13.5mΩ
Capacity affected by temperature (10hr)	40°C	103%
	25°C	100%
	0°C	88%
	-15°C	70%
Self-discharge (25°C)	3 month	Remaining Capacity: 94%
	6 month	Remaining Capacity: 88%
	12 month	Remaining Capacity: 75%
Nominal operating temperature		25°C ±3°C (77°F±5°F)
Operating temperature range		-20°C~55°C (-4°F~131°F)
Float charging voltage (25°C)		13.65 to 13.80V
Cyclic charging voltage (25°C)		14.40 to 15.00V
Terminal material		Copper

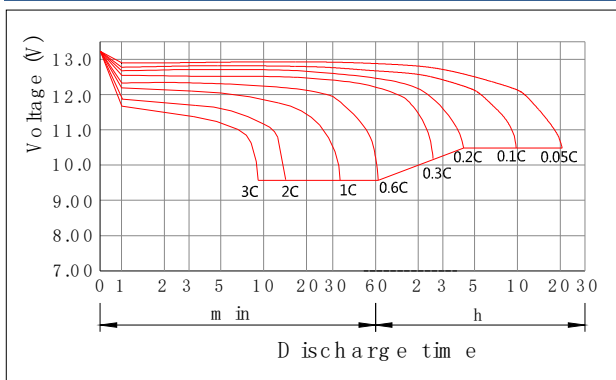
The Relationship for Charging Voltage and Temperature



Charging Characteristics (25°C)



Discharge Characteristics (25°C)



Constant Current Discharge Characteristics (Ampere / Battery, 25°C)

FV / TIME	5min	10min	15min	20min	30min	45min	1h	2h	3h	4h	5h	6h	8h	10h	20h
10.98V	41,80	30,30	25,80	23,60	18,30	13,80	11,60	7,28	5,52	4,55	3,91	3,37	2,69	2,32	1,27
10.80V	45,90	32,60	27,80	25,20	19,30	14,50	12,20	7,57	5,71	4,68	4,00	3,45	2,75	2,37	1,30
10.50V	54,30	37,80	31,70	28,30	21,20	15,70	13,00	8,02	6,03	4,90	4,16	3,58	2,84	2,42	1,33
10.20V	64,00	43,40	35,30	30,50	22,70	16,70	13,80	8,50	6,28	5,06	4,29	3,70	2,93	2,48	1,34
9.90V	69,30	46,00	36,80	31,70	23,60	17,30	14,30	8,72	6,48	5,19	4,38	3,76	2,97	2,50	1,36
9.60V	77,40	50,50	39,60	34,40	25,30	18,50	15,20	9,07	6,74	5,38	4,51	3,85	3,02	2,55	1,38

Constant Power Discharge Characteristics (Watt / Battery, 25°C)

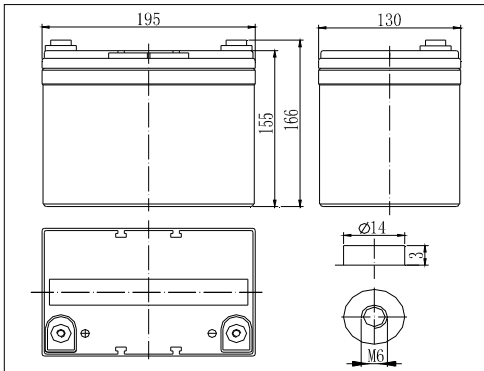
FV / TIME	5min	10min	15min	20min	30min	45min	1h	2h	3h	4h	5h	6h	8h	10h	20h
10.98V	468,60	340,80	292,80	269,40	210,60	160,80	135,00	85,20	64,80	53,60	46,20	40,00	32,00	27,70	15,20
10.80V	510,00	364,20	312,00	285,60	220,80	168,00	141,60	88,20	66,60	55,00	47,30	40,90	32,80	28,30	15,50
10.50V	591,00	414,60	351,60	317,40	240,60	180,00	150,60	93,60	70,80	57,40	49,00	42,20	33,70	28,90	15,80
10.20V	682,80	468,60	385,20	338,40	255,60	189,60	158,40	98,40	73,20	59,20	50,30	43,60	34,70	29,50	16,00
9.90V	726,60	489,00	396,00	348,00	262,80	195,00	163,20	100,20	75,00	60,40	51,20	44,20	35,20	29,80	16,10
9.60V	795,60	526,80	419,40	373,20	278,40	208,20	172,80	103,80	78,00	62,50	52,70	45,10	35,70	30,40	16,40

RPower GELOGiV12330L (12V 33Ah GEL Battery)

Floating Life at 20°C designed for up to 12 years

EAN: 4260349823777

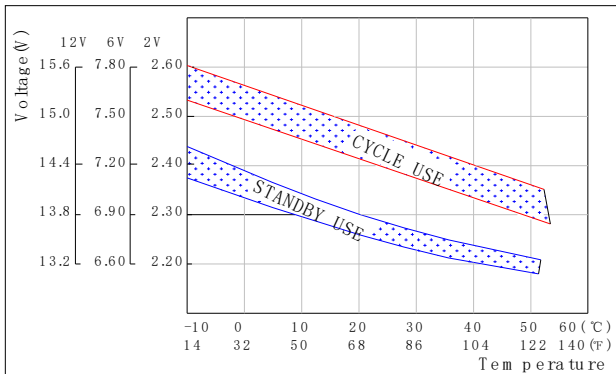
Dimensions



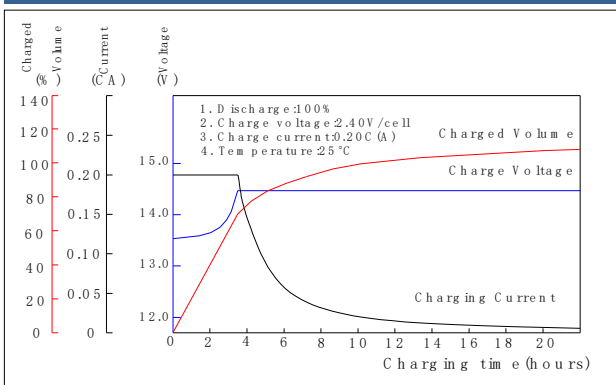
Specifications

Nominal Voltage		12V
Capacity (20hr@25°C@1.75V/C)		33Ah
Dimensions (±2mm)	Length	195mm (7.68inch)
	Width	130mm (5.12inch)
	Height	155mm (6.10inch)
	Total Height	155mm (6.10inch)
Approx. Weight		9.90kg (21.83lbs)
Maximum charging current		6.6A
Maximum discharge current		330A (5sec.)
Internal resistance		Approx. 11mΩ
Capacity affected by temperature (10hr)	40°C	103%
	25°C	100%
	0°C	88%
	-15°C	70%
Self-discharge (25°C)	3 month	Remaining Capacity: 94%
	6 month	Remaining Capacity: 88%
	12 month	Remaining Capacity: 75%
Nominal operating temperature		25°C ±3°C (77°F±5°F)
Operating temperature range		-20°C~55°C (-4°F~131°F)
Float charging voltage (25°C)		13.65 to 13.80V
Cyclic charging voltage (25°C)		14.40 to 15.00V
Terminal material		Copper

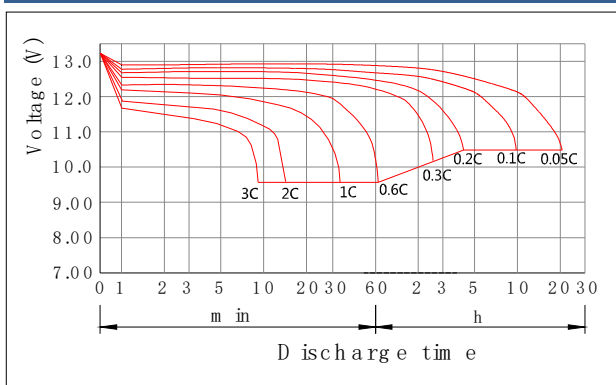
The Relationship for Charging Voltage and Temperature



Charging Characteristics (25°C)



Discharge Characteristics (25°C)



Constant Current Discharge Characteristics (Ampere / Battery, 25°C)

FV / TIME	5min	10min	15min	20min	30min	45min	1h	2h	3h	4h	5h	6h	8h	10h	20h
10.98V	75,10	56,20	48,40	40,00	32,20	25,50	18,20	10,40	7,58	5,93	4,99	4,26	3,51	3,04	1,58
10.80V	78,60	58,80	50,30	41,10	32,70	25,90	18,60	10,90	7,74	6,05	5,06	4,32	3,55	3,10	1,61
10.50V	83,00	62,10	51,60	41,90	34,20	27,00	19,30	11,20	7,89	6,24	5,21	4,46	3,66	3,12	1,65
10.20V	84,70	63,70	52,10	43,10	35,30	27,90	20,20	11,20	8,00	6,32	5,29	4,52	3,71	3,17	1,66
9.90V	86,40	64,70	52,40	43,70	36,00	28,50	21,00	11,40	8,11	6,41	5,36	4,58	3,77	3,21	1,67
9.60V	87,30	65,40	52,90	44,20	36,40	28,80	21,50	11,40	8,22	6,50	5,43	4,64	3,82	3,25	1,67

Constant Power Discharge Characteristics (Watt / Battery, 25°C)

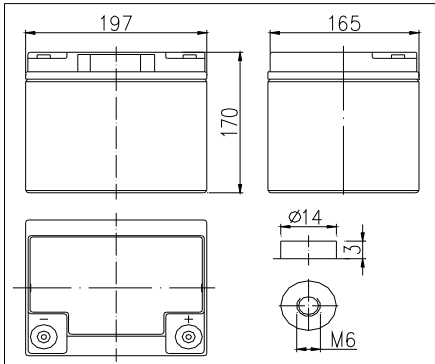
FV / TIME	5min	10min	15min	20min	30min	45min	1h	2h	3h	4h	5h	6h	8h	10h	20h
10.98V	818,00	612,00	526,00	450,00	352,00	278,00	207,00	117,00	88,50	70,10	59,30	50,60	41,90	36,50	19,00
10.80V	856,00	641,00	546,00	462,00	357,00	283,00	212,00	122,00	90,30	71,50	60,10	51,30	42,40	37,20	19,50
10.50V	903,00	676,00	561,00	472,00	373,00	295,00	220,00	125,00	92,00	73,70	61,90	52,90	43,70	37,50	19,90
10.20V	922,00	694,00	567,00	478,00	385,00	305,00	229,00	126,00	93,30	74,80	62,80	53,70	44,30	38,00	20,00
9.90V	941,00	705,00	569,00	485,00	393,00	311,00	239,00	127,00	94,60	75,80	63,70	54,40	45,00	38,50	20,10
9.60V	951,00	712,00	575,00	492,00	397,00	314,00	244,00	128,00	95,90	76,80	64,50	55,10	45,60	39,10	20,10

RPower GELOGiV12380L (12V 38Ah GEL Battery)

Floating Life at 20°C designed for up to 12 years

EAN: 4260123683313

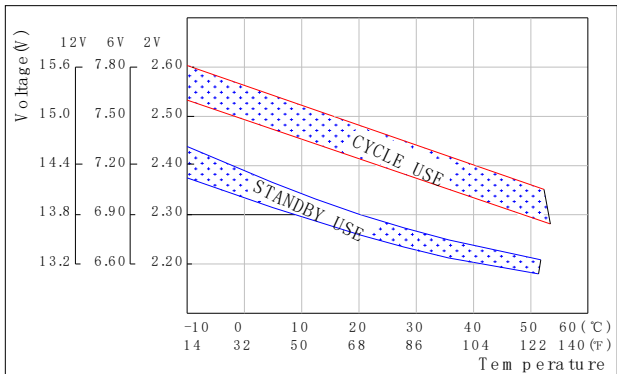
Dimensions



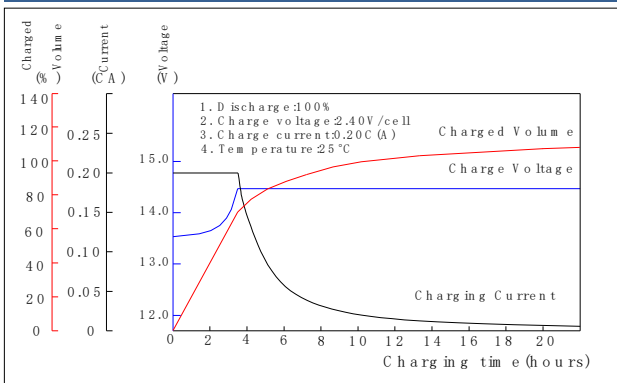
Specifications

Nominal Voltage		12V
Capacity (20hr@25°C@1.80V/C)		38Ah
Dimensions (±2mm)	Length	197mm (7.76inch)
	Width	165mm (6.50inch)
	Height	170mm (6.69inch)
	Total Height	170mm (6.69inch)
Approx. Weight		13.50kg (29.76lbs)
Maximum charging current		9.5A
Maximum discharge current		380A (5sec.)
Internal resistance		Approx. 12mΩ
Capacity affected by temperature (10hr)	40°C	103%
	25°C	100%
	0°C	88%
	-15°C	70%
Self-discharge (25°C)	3 month	Remaining Capacity: 94%
	6 month	Remaining Capacity: 88%
	12 month	Remaining Capacity: 75%
Nominal operating temperature		25°C ±3°C (77°F±5°F)
Operating temperature range		-20°C~55°C (-4°F~131°F)
Float charging voltage (25°C)		13.65 to 13.80V
Cyclic charging voltage (25°C)		14.40 to 15.00V
Terminal material		Copper

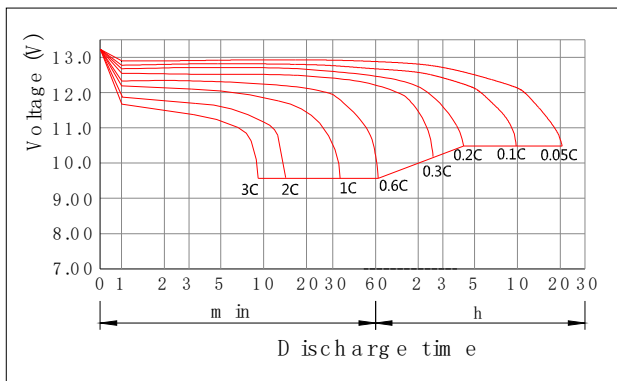
The Relationship for Charging Voltage and Temperature



Charging Characteristics (25°C)



Discharge Characteristics (25°C)



Constant Current Discharge Characteristics (Ampere / Battery, 25°C)

FV / TIME	5min	10min	15min	20min	30min	45min	1h	2h	3h	4h	5h	6h	8h	10h	20h
10.98V	61,10	44,20	37,80	34,50	26,70	20,20	16,90	10,60	8,10	6,65	5,71	4,93	3,93	3,39	1,86
10.80V	67,00	47,70	40,60	36,80	28,20	21,20	17,80	11,10	8,30	6,84	5,85	5,05	4,02	3,47	1,90
10.50V	79,30	55,20	46,40	41,40	31,00	23,00	19,00	11,70	8,80	7,16	6,08	5,23	4,15	3,53	1,94
10.20V	93,50	63,40	51,50	44,60	33,20	24,40	20,10	12,40	9,20	7,40	6,27	5,41	4,28	3,62	1,96
9.90V	101,20	67,30	53,80	46,40	34,50	25,20	20,90	12,70	9,50	7,58	6,40	5,50	4,34	3,66	1,98
9.60V	113,10	73,90	57,90	50,30	36,90	27,10	22,20	13,30	9,90	7,87	6,60	5,63	4,42	3,73	2,01

Constant Power Discharge Characteristics (Watt / Battery, 25°C)

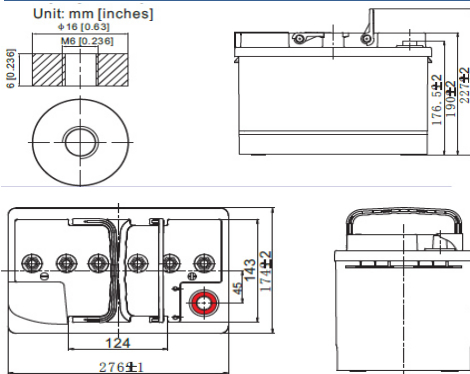
FV / TIME	5min	10min	15min	20min	30min	45min	1h	2h	3h	4h	5h	6h	8h	10h	20h
10.98V	684,60	498,00	427,80	393,60	307,20	234,60	197,40	124,20	94,80	78,00	67,80	58,40	46,90	40,60	22,30
10.80V	745,20	532,80	456,00	417,60	322,80	245,40	206,40	129,00	97,80	80,40	69,00	59,80	47,90	41,40	22,70
10.50V	864,00	606,00	513,60	463,80	352,20	263,40	220,20	136,20	103,20	84,00	71,40	61,70	49,30	42,20	23,20
10.20V	997,80	684,60	563,40	494,40	373,80	277,20	231,60	144,00	106,80	86,40	73,80	63,70	50,70	43,10	23,40
9.90V	1062,00	715,20	579,00	508,80	384,00	285,00	238,80	147,00	109,80	88,20	75,00	64,60	51,40	43,60	23,60
9.60V	1162,80	770,40	613,20	544,80	407,40	304,20	252,60	151,80	114,00	91,20	76,80	65,90	52,10	44,30	23,90

RPower GELOGiV12550L (12V 55Ah GEL Battery)

Floating Life at 20°C designed for up to 12 years

EAN: 4260123689971

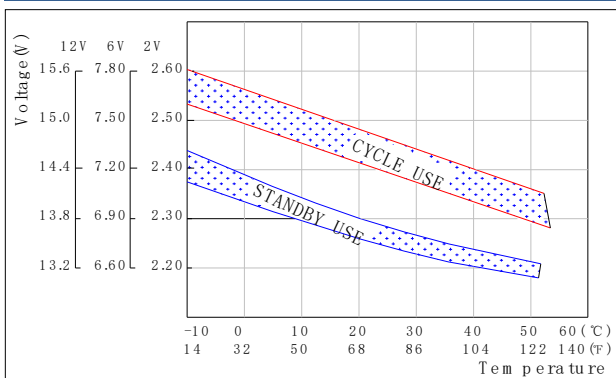
Dimensions



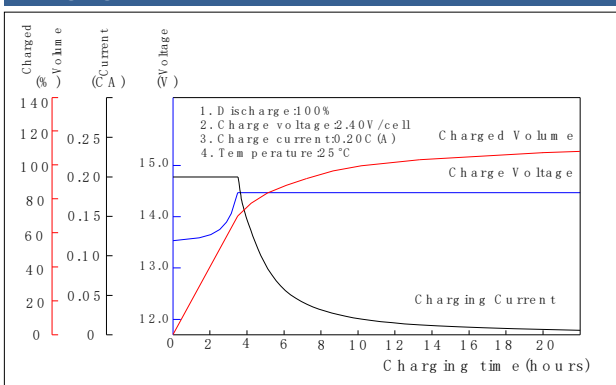
Specifications

Nominal Voltage		12V
Capacity (20hr@25°C@1.80V/C)		55Ah
Dimensions (±2mm)	Length	276mm (10.9inch)
	Width	174mm (6.85inch)
	Height	190mm (7.48inch)
	Total Height	190mm (7.48inch)
Approx. Weight		20.40kg (44.97lbs)
Maximum charging current		13.7A
Maximum discharge current		550A (5sec.)
Internal resistance		Approx. 9mΩ
Capacity affected by temperature (10hr)	40°C	103%
	25°C	100%
	0°C	88%
	-15°C	70%
Self-discharge (25°C)	3 month	Remaining Capacity: 94%
	6 month	Remaining Capacity: 88%
	12 month	Remaining Capacity: 75%
Nominal operating temperature		25°C ±3°C (77°F±5°F)
Operating temperature range		-20°C~55°C (-4°F~131°F)
Float charging voltage (25°C)		13.65 to 13.80V
Cyclic charging voltage (25°C)		14.40 to 15.00V
Terminal material		Copper

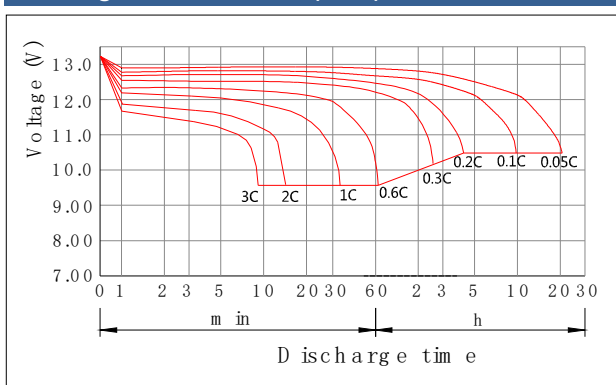
The Relationship for Charging Voltage and Temperature



Charging Characteristics (25°C)



Discharge Characteristics (25°C)



Constant Current Discharge Characteristics (Ampere / Battery, 25°C)

FV / TIME	5min	10min	15min	20min	30min	45min	1h	2h	3h	4h	5h	6h	8h	10h	20h
10.98V	88,40	64,00	54,70	49,90	38,70	29,30	24,50	15,40	11,70	9,62	8,27	7,13	5,69	4,91	2,70
10.80V	97,00	69,00	58,70	53,30	40,80	30,70	25,70	16,00	12,10	9,90	8,47	7,31	5,82	5,02	2,75
10.50V	114,80	79,90	67,10	59,90	44,90	33,20	27,60	17,00	12,80	10,40	8,80	7,56	6,01	5,12	2,81
10.20V	135,30	91,70	74,60	64,50	48,10	35,30	29,20	18,00	13,30	10,70	9,08	7,83	6,19	5,24	2,84
9.90V	146,50	97,40	77,90	67,20	49,90	36,50	30,30	18,50	13,70	11,00	9,26	7,96	6,28	5,30	2,87
9.60V	163,70	106,90	83,80	72,80	53,50	39,20	32,10	19,20	14,30	11,40	9,55	8,15	6,39	5,40	2,91

Constant Power Discharge Characteristics (Watt / Battery, 25°C)

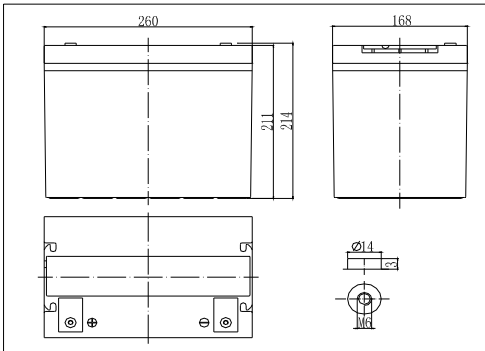
FV / TIME	5min	10min	15min	20min	30min	45min	1h	2h	3h	4h	5h	6h	8h	10h	20h
10.98V	991,20	721,20	619,20	569,40	445,20	339,60	285,60	180,00	136,80	113,40	97,80	84,60	67,80	58,70	32,30
10.80V	1078,80	771,00	660,00	604,20	467,40	354,60	299,40	186,60	141,60	116,40	100,20	86,40	69,60	59,90	32,90
10.50V	1250,40	876,60	743,40	671,40	509,40	381,00	318,60	197,40	149,40	121,20	103,80	89,40	71,40	61,00	33,50
10.20V	1444,20	990,60	815,40	715,20	540,60	401,40	335,40	208,20	154,80	125,40	106,20	92,40	73,20	62,40	33,90
9.90V	1536,60	1035,00	838,20	736,20	556,20	412,80	345,60	212,40	159,00	127,80	108,60	93,60	74,40	63,00	34,20
9.60V	1683,00	1114,80	887,40	789,00	589,80	440,40	365,40	220,20	165,00	132,00	111,60	95,40	75,60	64,10	34,60

RPower GELOGiV12700L (12V 70Ah GEL Battery)

Floating Life at 20°C designed for up to 12 years

EAN: 4260123683351

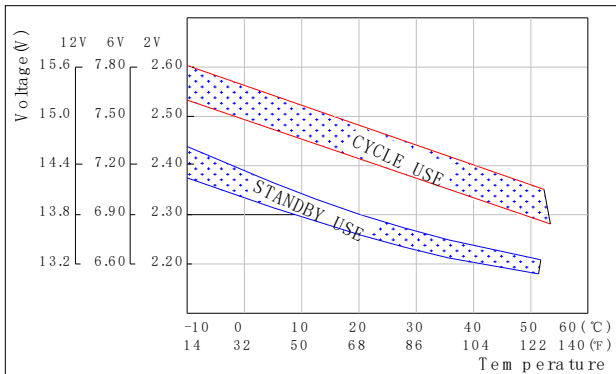
Dimensions



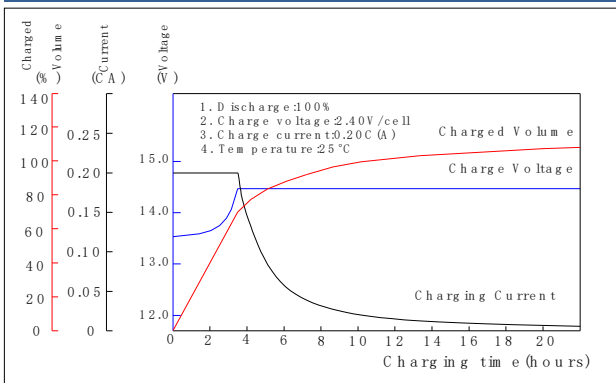
Specifications

Nominal Voltage		12V
Capacity (20hr@25°C@1.80V/C)		70Ah
Dimensions (±2mm)	Length	259mm (10.2inch)
	Width	168mm (6.61inch)
	Height	208mm (8.19inch)
	Total Height	214mm (8.43inch)
Approx. Weight		23.00kg (50.71lbs)
Maximum charging current		17.5A
Maximum discharge current		700A (5sec.)
Internal resistance		Approx. 7.9mΩ
Capacity affected by temperature (10hr)	40°C	103%
	25°C	100%
	0°C	88%
	-15°C	70%
Self-discharge (25°C)	3 month	Remaining Capacity: 94%
	6 month	Remaining Capacity: 88%
	12 month	Remaining Capacity: 75%
Nominal operating temperature		25°C ±3°C (77°F±5°F)
Operating temperature range		-20°C~55°C (-4°F~131°F)
Float charging voltage (25°C)		13.65 to 13.80V
Cyclic charging voltage (25°C)		14.40 to 15.00V
Terminal material		Copper

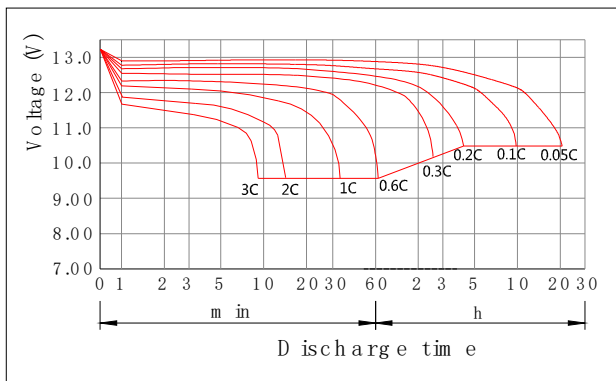
The Relationship for Charging Voltage and Temperature



Charging Characteristics (25°C)



Discharge Characteristics (25°C)



Constant Current Discharge Characteristics (Ampere / Battery, 25°C)

FV / TIME	5min	10min	15min	20min	30min	45min	1h	2h	3h	4h	5h	6h	8h	10h	20h
10.98V	112,60	81,50	69,60	63,50	49,20	37,30	31,20	19,60	14,90	12,20	10,50	9,08	7,24	6,25	3,43
10.80V	123,50	87,80	74,80	67,80	51,90	39,10	32,80	20,40	15,40	12,60	10,80	9,30	7,41	6,38	3,50
10.50V	146,20	101,60	85,40	76,20	57,10	42,30	35,10	21,60	16,20	13,20	11,20	9,63	7,65	6,51	3,57
10.20V	172,20	116,80	94,90	82,10	61,20	44,90	37,10	22,90	16,90	13,60	11,60	9,96	7,88	6,66	3,62
9.90V	186,50	123,90	99,10	85,50	63,60	46,50	38,50	23,50	17,50	14,00	11,80	10,10	8,00	6,74	3,65
9.60V	208,30	136,10	106,70	92,60	68,00	49,90	40,90	24,40	18,20	14,50	12,20	10,40	8,14	6,87	3,70

Constant Power Discharge Characteristics (Watt / Battery, 25°C)

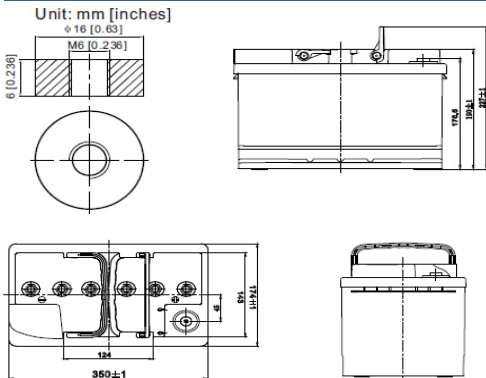
FV / TIME	5min	10min	15min	20min	30min	45min	1h	2h	3h	4h	5h	6h	8h	10h	20h
10.98V	1261,80	917,40	787,80	724,80	566,40	432,00	363,60	229,20	174,60	144,00	124,20	107,40	86,40	74,40	41,04
10.80V	1372,80	981,00	840,00	768,60	595,20	451,80	381,00	237,60	180,00	148,20	127,20	110,40	88,20	76,20	41,88
10.50V	1591,80	1116,00	946,20	854,40	648,00	484,80	405,60	251,40	189,60	154,80	132,00	114,00	90,60	77,40	42,66
10.20V	1837,80	1261,20	1037,40	910,20	688,20	511,20	426,60	265,20	197,40	159,60	135,60	117,60	93,60	79,20	43,14
9.90V	1956,00	1317,00	1066,80	937,20	707,40	525,60	439,80	270,60	202,80	162,60	138,00	118,80	94,80	80,40	43,50
9.60V	2142,60	1419,00	1129,80	1003,80	750,60	560,40	465,00	280,20	209,40	168,60	141,60	121,20	96,00	81,60	44,10

RPower GELOGiV12900L (12V 90Ah GEL Battery)

Floating Life at 20°C designed for up to 12 years

EAN: 4260123690038

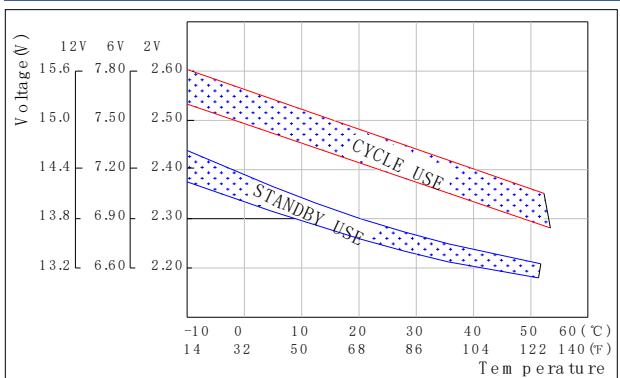
Dimensions



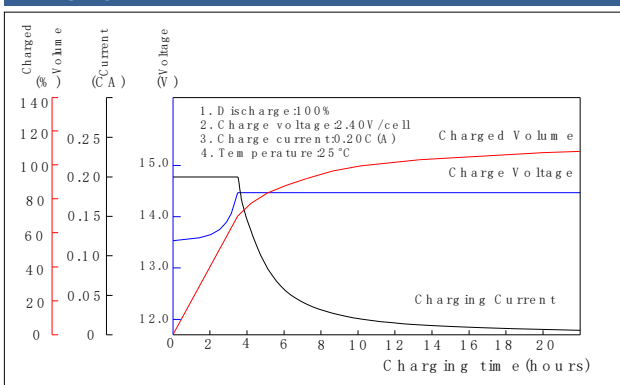
Specifications

Nominal Voltage		12V
Capacity (100/20hr@25°C@1.80V/C)		90Ah / 75Ah
Dimensions (±2mm)	Length	350mm (13.8inch)
	Width	174mm (6.85inch)
	Height	190mm (7.48inch)
	Total Height	190mm (7.48inch)
Approx. Weight		25.00kg (55.12lbs)
Maximum charging current		17.5A
Maximum discharge current		700A (5sec.)
Internal resistance		Approx. 6.4mΩ
Capacity affected by temperature (10hr)	40°C	103%
	25°C	100%
	0°C	88%
	-15°C	70%
Self-discharge (25°C)	3 month	Remaining Capacity: 94%
	6 month	Remaining Capacity: 88%
	12 month	Remaining Capacity: 75%
Nominal operating temperature		25°C ±3°C (77°F±5°F)
Operating temperature range		-20°C~55°C (-4°F~131°F)
Float charging voltage (25°C)		13.65 to 13.80V
Cyclic charging voltage (25°C)		14.40 to 15.00V
Terminal material		Copper

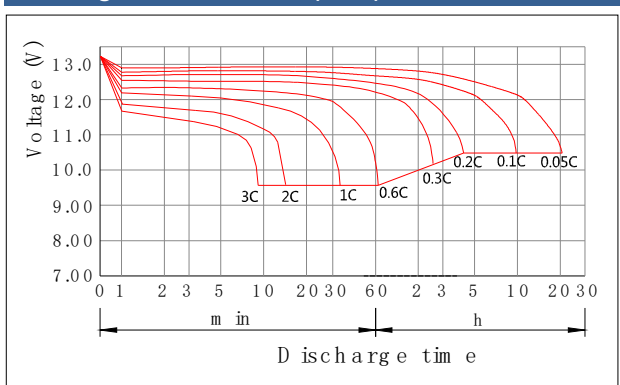
The Relationship for Charging Voltage and Temperature



Charging Characteristics (25°C)



Discharge Characteristics (25°C)



Constant Current Discharge Characteristics (Ampere / Battery, 25°C)

FV / TIME	5min	10min	15min	20min	30min	45min	1h	2h	3h	4h	5h	6h	8h	10h	20h
10.98V	120,60	87,30	74,60	68,10	52,70	40,00	33,50	21,00	15,90	13,10	11,30	9,73	7,76	6,69	3,68
10.80V	132,30	94,10	80,10	72,70	55,70	41,90	35,10	21,80	16,50	13,50	11,60	9,96	7,94	6,84	3,75
10.50V	156,60	108,90	91,50	81,70	61,20	45,30	37,60	23,10	17,40	14,10	12,00	10,30	8,19	6,98	3,83
10.20V	184,50	125,10	101,70	88,00	65,60	48,10	39,80	24,50	18,10	14,60	12,40	10,70	8,44	7,14	3,87
9.90V	199,80	132,80	106,20	91,60	68,10	49,80	41,30	25,20	18,70	15,00	12,60	10,90	8,57	7,22	3,91
9.60V	223,20	145,80	114,30	99,20	72,90	53,50	43,80	26,20	19,50	15,50	13,00	11,10	8,72	7,37	3,97

Constant Power Discharge Characteristics (Watt / Battery, 25°C)

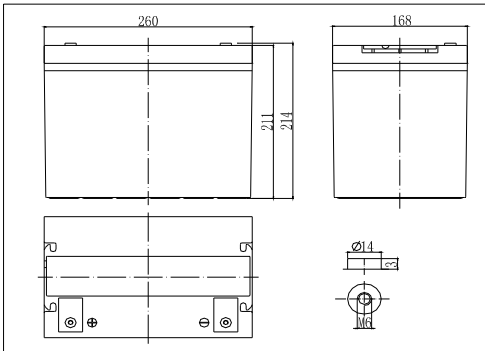
FV / TIME	5min	10min	15min	20min	30min	45min	1h	2h	3h	4h	5h	6h	8h	10h	20h
10.98V	1351,80	983,40	844,20	776,40	606,60	463,20	390,00	245,40	186,60	154,20	133,20	115,20	92,40	79,80	43,98
10.80V	1471,20	1051,20	900,00	823,80	637,20	483,60	408,00	255,00	193,20	158,40	136,20	118,20	94,80	81,60	44,82
10.50V	1705,20	1195,80	1014,00	915,60	694,80	519,60	434,40	269,40	203,40	165,60	141,00	121,80	97,20	83,40	45,72
10.20V	1969,20	1351,20	1111,80	975,60	737,40	547,20	457,20	283,80	211,20	171,00	145,20	126,00	100,20	85,20	46,20
9.90V	2095,80	1411,20	1143,00	1003,80	758,40	562,80	471,60	289,80	217,20	174,60	147,60	127,20	101,40	85,80	46,62
9.60V	2295,60	1520,40	1210,20	1075,80	804,00	600,00	498,00	300,00	224,40	180,60	151,80	130,20	103,20	87,60	47,22

RPower GELOGiV12800L (12V 80Ah GEL Battery)

Floating Life at 20°C designed for up to 12 years

EAN: 4260349823784

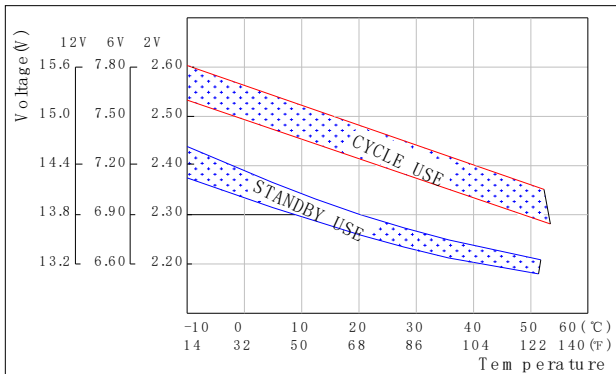
Dimensions



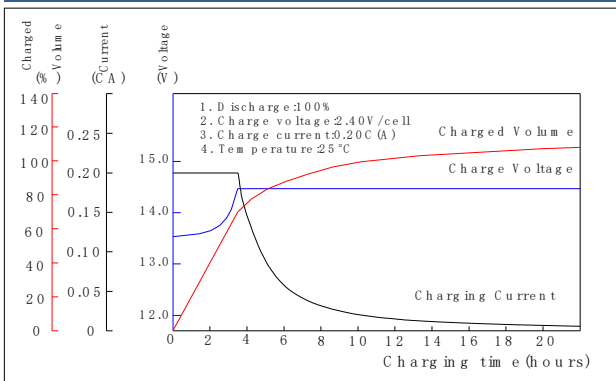
Specifications

Nominal Voltage		12V
Capacity (20hr@25°C@1.75V/C)		80Ah
Dimensions (±2mm)	Length	260mm (10.2inch)
	Width	168mm (6.61inch)
	Height	215mm (8.46inch)
	Total Height	215mm (8.46inch)
Approx. Weight		24.00kg (52.91lbs)
Maximum charging current		16A
Maximum discharge current		800A (5sec.)
Internal resistance		Approx. 6mΩ
Capacity affected by temperature (10hr)	40°C	103%
	25°C	100%
	0°C	88%
	-15°C	70%
Self-discharge (25°C)	3 month	Remaining Capacity: 94%
	6 month	Remaining Capacity: 88%
	12 month	Remaining Capacity: 75%
Nominal operating temperature		25°C ±3°C (77°F±5°F)
Operating temperature range		-20°C~55°C (-4°F~131°F)
Float charging voltage (25°C)		13.65 to 13.80V
Cyclic charging voltage (25°C)		14.40 to 15.00V
Terminal material		Copper

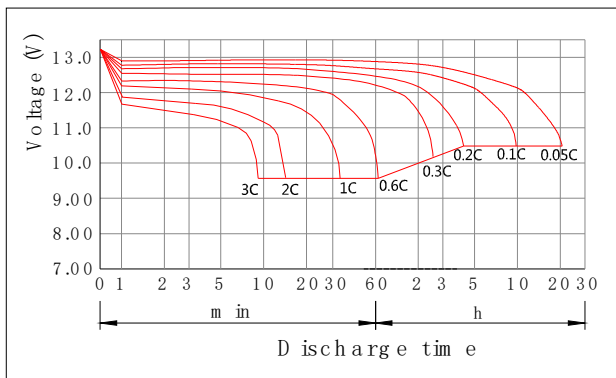
The Relationship for Charging Voltage and Temperature



Charging Characteristics (25°C)



Discharge Characteristics (25°C)



Constant Current Discharge Characteristics (Ampere / Battery, 25°C)

FV / TIME	5min	10min	15min	20min	30min	45min	1h	2h	3h	4h	5h	6h	8h	10h	20h
10.98V	182,00	136,00	117,00	96,90	78,10	62,00	44,10	25,30	18,40	14,40	12,10	10,30	8,50	7,38	3,82
10.80V	191,00	143,00	122,00	99,50	79,30	63,00	45,10	26,40	18,80	14,70	12,30	10,50	8,61	7,52	3,91
10.50V	201,00	151,00	125,00	102,00	82,90	65,80	46,90	27,00	19,10	15,10	12,60	10,80	8,88	7,57	4,00
10.20V	205,00	155,00	126,00	105,00	85,50	67,90	48,90	27,20	19,40	15,30	12,80	11,00	9,00	7,68	4,02
9.90V	210,00	157,00	127,00	106,00	87,30	69,30	51,00	27,60	19,70	15,50	13,00	11,10	9,13	7,78	4,04
9.60V	212,00	158,00	128,00	107,00	88,20	70,00	52,00	27,70	19,90	15,80	13,20	11,30	9,25	7,89	4,05

Constant Power Discharge Characteristics (Watt / Battery, 25°C)

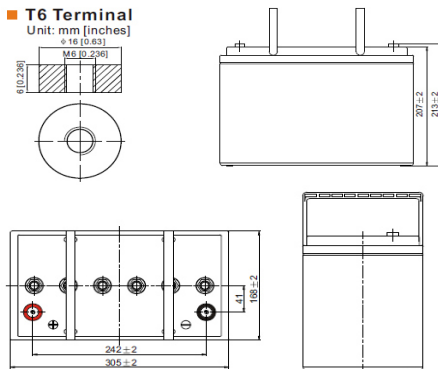
FV / TIME	5min	10min	15min	20min	30min	45min	1h	2h	3h	4h	5h	6h	8h	10h	20h
10.98V	1982,00	1484,00	1276,00	1090,00	852,00	677,00	501,00	283,00	214,00	170,00	144,00	123,00	101,00	88,50	46,10
10.80V	2075,00	1553,00	1325,00	1120,00	866,00	688,00	513,00	295,00	219,00	173,00	146,00	124,00	103,00	90,20	47,20
10.50V	2190,00	1640,00	1359,00	1144,00	904,00	718,00	533,00	303,00	223,00	179,00	150,00	128,00	106,00	90,90	48,20
10.20V	2236,00	1683,00	1373,00	1159,00	933,00	741,00	556,00	304,00	226,00	181,00	152,00	130,00	108,00	92,10	48,50
9.90V	2282,00	1709,00	1380,00	1177,00	953,00	756,00	579,00	309,00	229,00	184,00	154,00	132,00	109,00	93,40	48,70
9.60V	2305,00	1726,00	1394,00	1192,00	962,00	764,00	591,00	310,00	233,00	186,00	156,00	134,00	110,00	94,70	48,80

RPower GELOGiV12850L (12V 85Ah GEL Battery)

Floating Life at 20°C designed for up to 12 years

EAN: 4260123683368

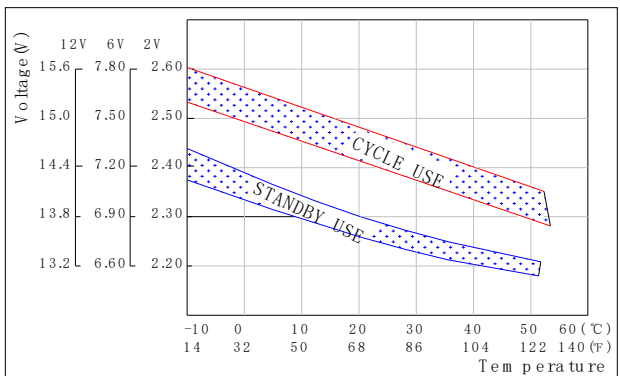
Dimensions



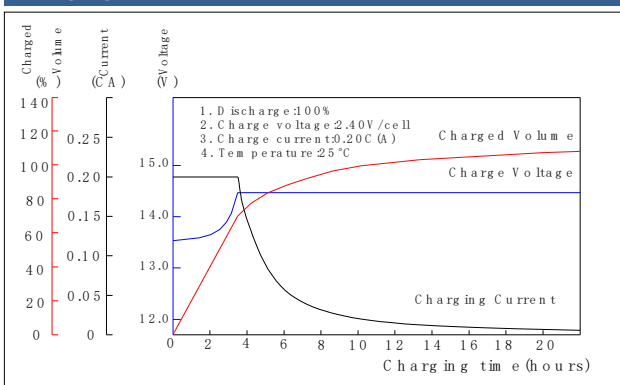
Specifications

Nominal Voltage		12V
Capacity (20hr@25°C@1.80V/C)		85Ah
Dimensions (±2mm)	Length	305mm (12.0inch)
	Width	168mm (6.61inch)
	Height	207mm (8.15inch)
	Total Height	213mm (8.39inch)
Approx. Weight		26.50kg (58.42lbs)
Maximum charging current		21.25A
Maximum discharge current		850A (5sec.)
Internal resistance		Approx. 6mΩ
Capacity affected by temperature (10hr)	40°C	103%
	25°C	100%
	0°C	88%
	-15°C	70%
Self-discharge (25°C)	3 month	Remaining Capacity: 94%
	6 month	Remaining Capacity: 88%
	12 month	Remaining Capacity: 75%
Nominal operating temperature		25°C ±3°C (77°F±5°F)
Operating temperature range		-20°C~55°C (-4°F~131°F)
Float charging voltage (25°C)		13.65 to 13.80V
Cyclic charging voltage (25°C)		14.40 to 15.00V
Terminal material		Copper

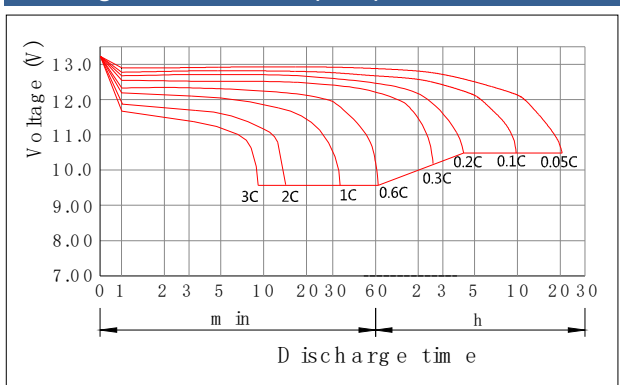
The Relationship for Charging Voltage and Temperature



Charging Characteristics (25°C)



Discharge Characteristics (25°C)



Constant Current Discharge Characteristics (Ampere / Battery, 25°C)

FV / TIME	5min	10min	15min	20min	30min	45min	1h	2h	3h	4h	5h	6h	8h	10h	20h
10.98V	136,70	98,90	84,50	77,10	59,80	45,30	37,90	23,80	18,00	14,90	12,80	11,00	8,79	7,59	4,17
10.80V	149,90	106,60	90,80	82,40	63,10	47,50	39,80	24,70	18,70	15,30	13,10	11,30	9,00	7,75	4,25
10.50V	177,50	123,40	103,70	92,60	69,40	51,30	42,60	26,20	19,70	16,00	13,60	11,70	9,29	7,91	4,34
10.20V	209,10	141,80	115,30	99,70	74,30	54,50	45,10	27,80	20,50	16,60	14,00	12,10	9,56	8,09	4,39
9.90V	226,40	150,50	120,40	103,80	77,20	56,40	46,80	28,50	21,20	17,00	14,30	12,30	9,71	8,19	4,43
9.60V	253,00	165,20	129,50	112,50	82,60	60,60	49,60	29,70	22,00	17,60	14,80	12,60	9,88	8,35	4,50

Constant Power Discharge Characteristics (Watt / Battery, 25°C)

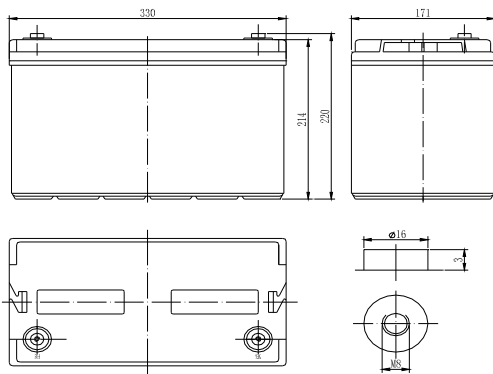
FV / TIME	5min	10min	15min	20min	30min	45min	1h	2h	3h	4h	5h	6h	8h	10h	20h
10.98V	1531,80	1114,20	956,40	880,20	687,60	525,00	441,60	278,40	211,80	175,20	151,20	130,80	105,00	90,60	49,90
10.80V	1666,80	1191,60	1020,00	933,60	722,40	548,40	462,60	288,60	218,40	180,00	154,20	133,80	107,40	92,40	50,80
10.50V	1932,60	1355,40	1149,00	1037,40	787,20	588,60	492,60	304,80	230,40	187,80	160,20	138,00	110,40	94,20	51,80
10.20V	2232,00	1531,20	1260,00	1105,80	835,80	620,40	517,80	321,60	239,40	193,20	164,40	142,80	113,40	96,60	52,40
9.90V	2374,80	1599,60	1295,40	1137,60	859,20	637,80	534,60	328,80	246,00	197,40	167,40	144,60	115,20	97,20	52,90
9.60V	2601,60	1723,20	1371,60	1219,20	911,40	680,40	564,60	340,20	254,40	204,60	172,20	147,60	116,40	99,00	53,50

RPower GELOGiV121000L (12V 96Ah GEL Battery)

Floating Life at 20°C designed for up to 12 years

EAN: 4260123683375

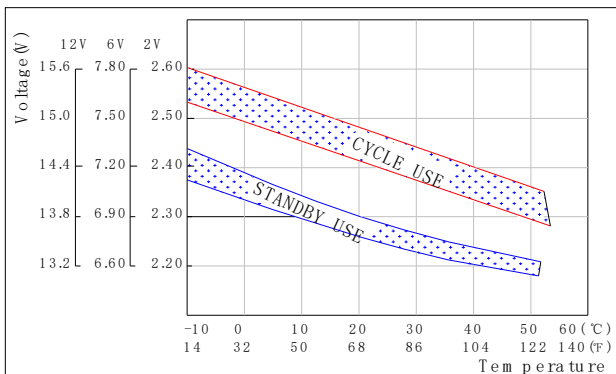
Dimensions



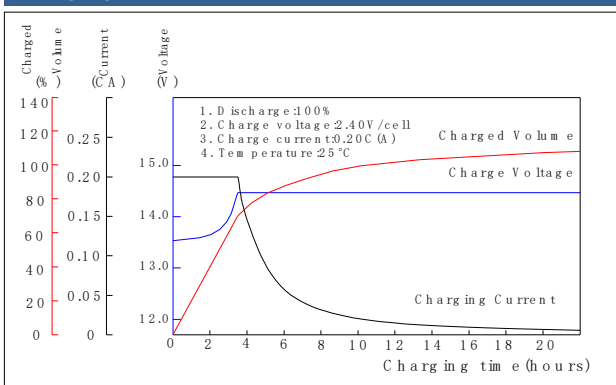
Specifications

Nominal Voltage		12V
Capacity (20hr@25°C@1.80V/C)		96Ah
Dimensions (±2mm)	Length	330mm (13.0inch)
	Width	173mm (6.81inch)
	Height	212mm (8.35inch)
	Total Height	218mm (8.58inch)
Approx. Weight		31.00kg (68.34lbs)
Maximum charging current		24A
Maximum discharge current		1.000A (5sec.)
Internal resistance		Approx. 5.9mΩ
Capacity affected by temperature (10hr)	40°C	103%
	25°C	100%
	0°C	88%
	-15°C	70%
Self-discharge (25°C)	3 month	Remaining Capacity: 94%
	6 month	Remaining Capacity: 88%
	12 month	Remaining Capacity: 75%
Nominal operating temperature		25°C ±3°C (77°F±5°F)
Operating temperature range		-20°C~55°C (-4°F~131°F)
Float charging voltage (25°C)		13.65 to 13.80V
Cyclic charging voltage (25°C)		14.40 to 15.00V
Terminal material		Copper

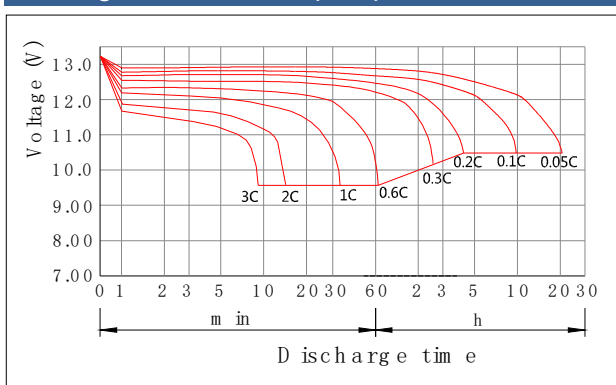
The Relationship for Charging Voltage and Temperature



Charging Characteristics (25°C)



Discharge Characteristics (25°C)



Constant Current Discharge Characteristics (Ampere / Battery, 25°C)

FV / TIME	5min	10min	15min	20min	30min	45min	1h	2h	3h	4h	5h	6h	8h	10h	20h
10.98V	160,80	116,40	99,40	87,10	67,50	51,10	42,80	26,90	20,40	16,80	14,40	12,40	9,93	8,57	4,70
10.80V	176,40	125,40	106,80	96,90	74,20	55,90	46,80	29,10	22,00	18,00	15,40	12,90	10,30	8,85	4,80
10.50V	208,80	145,20	122,00	108,90	81,60	60,40	50,10	30,90	23,20	18,90	16,00	13,30	10,60	9,00	4,90
10.20V	246,00	166,80	135,60	117,30	87,40	64,10	53,00	32,70	24,20	19,50	16,50	13,80	10,90	9,23	4,96
9.90V	266,40	177,00	141,60	122,10	90,80	66,40	55,00	33,60	24,90	20,00	16,80	14,00	11,10	9,34	5,01
9.60V	297,60	194,40	152,40	132,30	97,20	71,30	58,40	34,90	25,90	20,70	17,40	14,40	11,30	9,53	5,08

Constant Power Discharge Characteristics (Watt / Battery, 25°C)

FV / TIME	5min	10min	15min	20min	30min	45min	1h	2h	3h	4h	5h	6h	8h	10h	20h
10.98V	1802,40	1311,00	1125,60	1035,60	808,80	617,40	519,60	327,60	249,00	205,80	177,60	152,40	122,40	105,60	57,40
10.80V	1961,40	1401,60	1200,00	1098,00	849,60	645,00	544,20	339,60	257,40	211,80	181,80	153,60	123,60	106,80	58,50
10.50V	2274,00	1594,20	1351,80	1220,40	926,40	692,40	579,00	358,80	271,20	220,80	188,40	157,80	126,00	107,40	58,60
10.20V	2625,60	1801,20	1482,60	1300,80	983,40	730,20	609,60	378,60	281,40	227,40	193,80	162,60	129,60	109,80	59,20
9.90V	2794,20	1881,60	1524,00	1338,60	1011,00	750,60	628,80	386,40	289,20	232,20	196,80	165,00	131,40	111,00	59,70
9.60V	3060,60	2027,40	1614,00	1434,60	1072,20	800,40	664,20	400,20	299,40	240,60	202,80	168,60	133,20	113,40	60,60

RPower GELOGiV121200L (12V 120Ah GEL Battery)



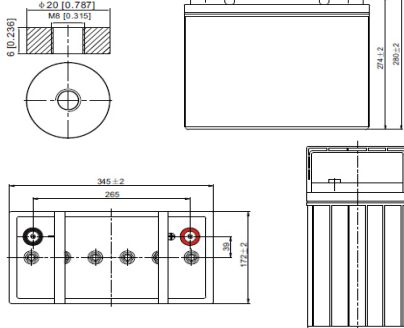
Floating Life at 20°C designed for up to 12 years

EAN: 4260349822237

Dimensions

T11 Terminal

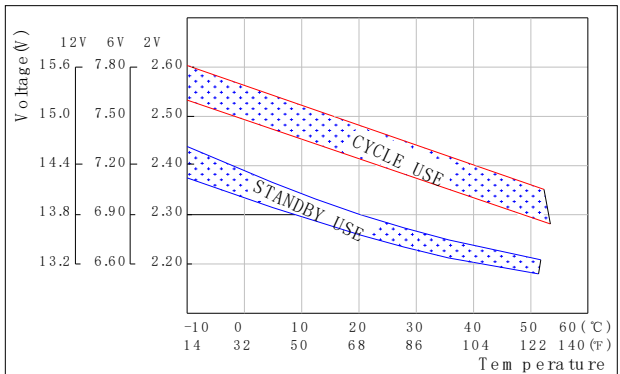
Unit: mm [inches]



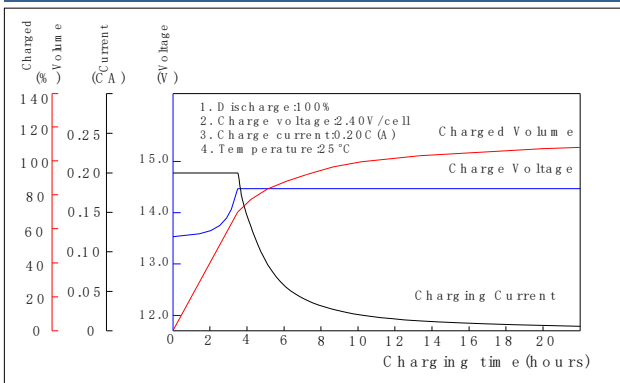
Specifications

Nominal Voltage	12V	
Capacity (20hr@25°C@1.80V/C)	120Ah	
Dimensions (±2mm)	Length	345mm (13.6inch)
	Width	172mm (6.77inch)
	Height	274mm (10.8inch)
	Total Height	280mm (11.0inch)
Approx. Weight	40.20kg (88.63lbs)	
Maximum charging current	30A	
Maximum discharge current	1.080A (5sec.)	
Internal resistance	Approx. 4.9mΩ	
Capacity affected by temperature (10hr)	40°C	103%
	25°C	100%
	0°C	88%
	-15°C	70%
Self-discharge (25°C)	3 month	Remaining Capacity: 94%
	6 month	Remaining Capacity: 88%
	12 month	Remaining Capacity: 75%
Nominal operating temperature	25°C ±3°C (77°F±5°F)	
Operating temperature range	-20°C~55°C (-4°F~131°F)	
Float charging voltage (25°C)	13.65 to 13.80V	
Cyclic charging voltage (25°C)	14.40 to 15.00V	
Terminal material	Copper	

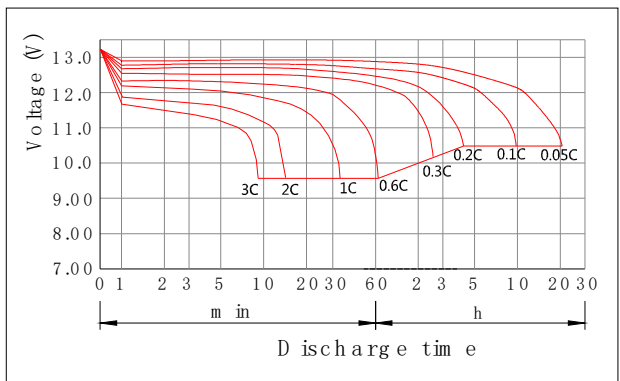
The Relationship for Charging Voltage and Temperature



Charging Characteristics (25°C)



Discharge Characteristics (25°C)



Constant Current Discharge Characteristics (Ampere / Battery, 25°C)

FV / TIME	5min	10min	15min	20min	30min	45min	1h	2h	3h	4h	5h	6h	8h	10h	20h
10.98V	193,00	139,70	119,30	108,90	84,40	63,90	53,50	33,60	25,50	21,00	18,00	15,60	12,40	10,70	5,88
10.80V	211,70	150,50	128,20	116,30	89,00	67,00	56,20	34,90	26,40	21,60	18,50	15,90	12,70	10,90	6,00
10.50V	250,60	174,20	146,40	130,70	97,90	72,50	60,10	37,00	27,80	22,60	19,20	16,50	13,10	11,20	6,12
10.20V	295,20	200,20	162,70	140,80	104,90	77,00	63,60	39,20	29,00	23,40	19,80	17,10	13,50	11,40	6,20
9.90V	319,70	212,40	169,90	146,50	109,00	79,70	66,00	40,30	29,90	23,90	20,20	17,40	13,70	11,60	6,26
9.60V	357,10	233,30	182,90	158,80	116,60	85,60	70,10	41,90	31,10	24,80	20,80	17,80	14,00	11,80	6,35

Constant Power Discharge Characteristics (Watt / Battery, 25°C)

FV / TIME	5min	10min	15min	20min	30min	45min	1h	2h	3h	4h	5h	6h	8h	10h	20h
10.98V	2162,40	1573,20	1350,60	1242,60	970,80	741,00	623,40	393,00	298,80	247,20	213,00	184,80	148,20	127,80	70,20
10.80V	2353,20	1681,80	1440,00	1318,20	1020,00	774,00	652,80	408,00	309,00	253,80	218,40	189,00	151,20	130,80	72,00
10.50V	2728,80	1913,40	1622,40	1464,60	1111,20	831,00	695,40	430,80	325,20	265,20	225,60	195,00	156,00	133,20	73,20
10.20V	3151,20	2161,80	1779,00	1560,60	1180,20	876,00	731,40	454,20	337,80	273,00	232,20	201,00	160,20	136,20	73,80
9.90V	3352,80	2258,40	1828,80	1606,20	1213,20	900,60	754,20	463,80	347,40	279,00	236,40	204,00	162,00	137,40	74,40
9.60V	3672,60	2432,40	1936,80	1721,40	1286,40	960,60	796,80	480,00	359,40	288,60	243,00	208,20	165,00	139,80	75,60

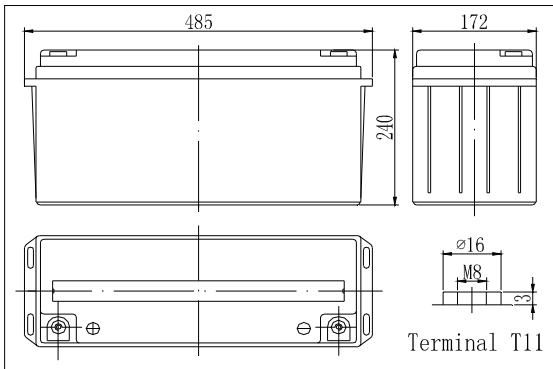
RPower GELOGiV121500L (12V 150Ah GEL Battery)



Floating Life at 20°C designed for up to 12 years

EAN: 4260349823791

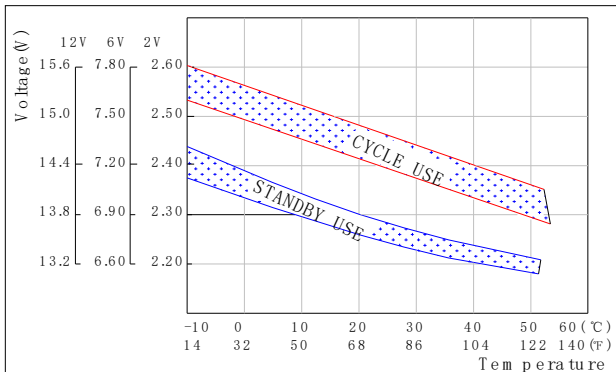
Dimensions



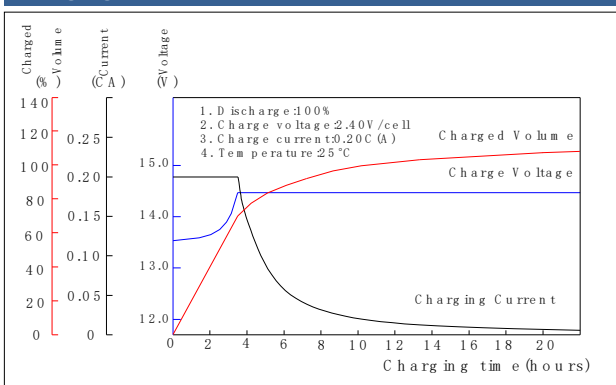
Specifications

Nominal Voltage		12V
Capacity (20hr@25°C@1.75V/C)		150Ah
Dimensions (±2mm)	Length	485mm (19.1inch)
	Width	172mm (6.77inch)
	Height	240mm (9.45inch)
	Total Height	240mm (9.45inch)
Approx. Weight		44.50kg (98.11lbs)
Maximum charging current		30A
Maximum discharge current		1.500A (5sec.)
Internal resistance		Approx. 4.2mΩ
Capacity affected by temperature (10hr)	40°C	103%
	25°C	100%
	0°C	88%
	-15°C	70%
Self-discharge (25°C)	3 month	Remaining Capacity: 94%
	6 month	Remaining Capacity: 88%
	12 month	Remaining Capacity: 75%
Nominal operating temperature		25°C ±3°C (77°F±5°F)
Operating temperature range		-20°C~55°C (-4°F~131°F)
Float charging voltage (25°C)		13.65 to 13.80V
Cyclic charging voltage (25°C)		14.40 to 15.00V
Terminal material		Copper

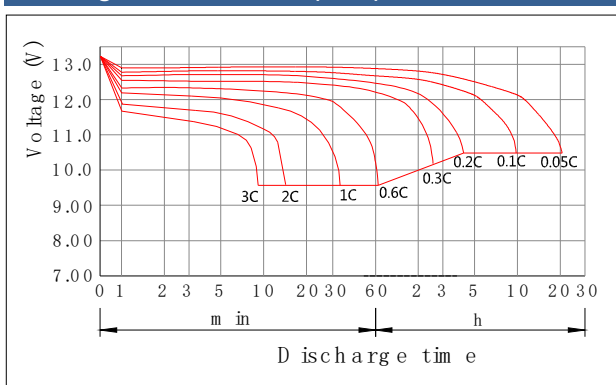
The Relationship for Charging Voltage and Temperature



Charging Characteristics (25°C)



Discharge Characteristics (25°C)



Constant Current Discharge Characteristics (Ampere / Battery, 25°C)

FV / TIME	5min	10min	15min	20min	30min	45min	1h	2h	3h	4h	5h	6h	8h	10h	20h
10.98V	341,00	256,00	220,00	182,00	146,00	116,00	82,70	47,30	34,50	27,00	22,70	19,40	15,90	13,80	7,16
10.80V	357,00	267,00	229,00	187,00	149,00	118,00	84,60	49,40	35,20	27,50	23,00	19,60	16,20	14,10	7,33
10.50V	377,00	282,00	235,00	191,00	155,00	123,00	87,80	50,70	35,90	28,40	23,70	20,30	16,70	14,20	7,50
10.20V	385,00	290,00	237,00	196,00	160,00	127,00	91,70	50,90	36,40	28,70	24,00	20,50	16,90	14,40	7,54
9.90V	393,00	294,00	238,00	199,00	164,00	130,00	95,60	51,70	36,90	29,10	24,40	20,80	17,10	14,60	7,58
9.60V	397,00	297,00	241,00	201,00	165,00	131,00	97,50	51,90	37,40	29,50	24,70	21,10	17,30	14,80	7,59

Constant Power Discharge Characteristics (Watt / Battery, 25°C)

FV / TIME	5min	10min	15min	20min	30min	45min	1h	2h	3h	4h	5h	6h	8h	10h	20h
10.98V	3717,00	2783,00	2392,00	2043,00	1598,00	1269,00	940,00	530,00	402,00	319,00	269,00	230,00	190,00	166,00	86,40
10.80V	3890,00	2912,00	2484,00	2100,00	1624,00	1289,00	962,00	554,00	410,00	325,00	273,00	233,00	193,00	169,00	88,40
10.50V	4106,00	3074,00	2549,00	2145,00	1696,00	1347,00	999,00	568,00	418,00	335,00	282,00	241,00	199,00	170,00	90,50
10.20V	4193,00	3155,00	2575,00	2174,00	1750,00	1389,00	1042,00	571,00	424,00	340,00	285,00	244,00	202,00	173,00	90,90
9.90V	4279,00	3204,00	2588,00	2206,00	1786,00	1418,00	1086,00	579,00	430,00	344,00	289,00	247,00	204,00	175,00	91,40
9.60V	4322,00	3236,00	2614,00	2235,00	1804,00	1432,00	1109,00	582,00	436,00	349,00	293,00	251,00	207,00	178,00	91,50

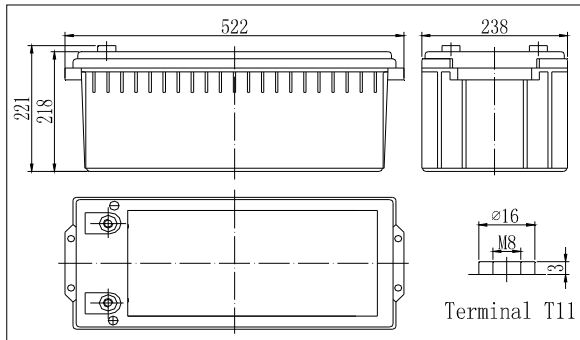
RPower GELOGiV122000L (12V 200Ah GEL Battery)



Floating Life at 20°C designed for up to 12 years

EAN: 4260123683405

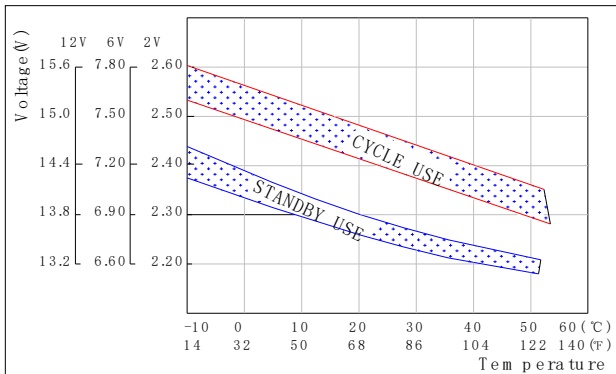
Dimensions



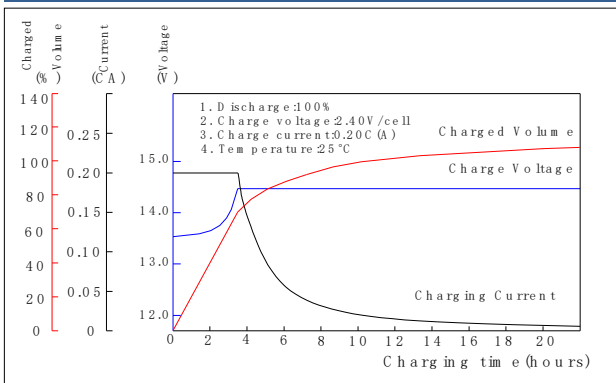
Specifications

Nominal Voltage		12V
Capacity (20hr@25°C@1.80V/C)		200Ah
Dimensions (±2mm)	Length	522mm (20.6inch)
	Width	240mm (9.45inch)
	Height	218mm (8.58inch)
	Total Height	224mm (8.82inch)
Approx. Weight		62.90kg (138.7lbs)
Maximum charging current		50A
Maximum discharge current		1.800A (5sec.)
Internal resistance		Approx. 3.24mΩ
Capacity affected by temperature (10hr)	40°C	103%
	25°C	100%
	0°C	88%
	-15°C	70%
Self-discharge (25°C)	3 month	Remaining Capacity: 94%
	6 month	Remaining Capacity: 88%
	12 month	Remaining Capacity: 75%
Nominal operating temperature		25°C ±3°C (77°F±5°F)
Operating temperature range		-20°C~55°C (-4°F~131°F)
Float charging voltage (25°C)		13.65 to 13.80V
Cyclic charging voltage (25°C)		14.40 to 15.00V
Terminal material		Copper

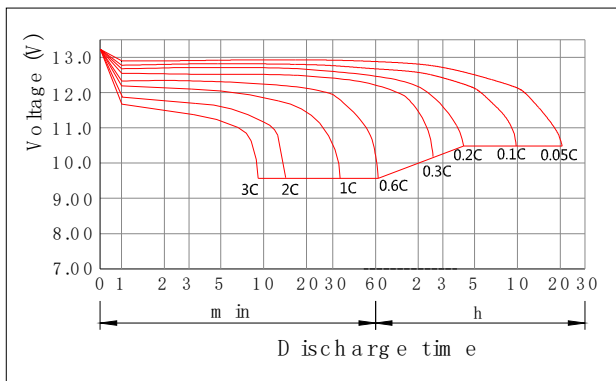
The Relationship for Charging Voltage and Temperature



Charging Characteristics (25°C)



Discharge Characteristics (25°C)



Constant Current Discharge Characteristics (Ampere / Battery, 25°C)

FV / TIME	5min	10min	15min	20min	30min	45min	1h	2h	3h	4h	5h	6h	8h	10h	20h
10.98V	321,6	232,80	198,80	181,50	140,60	106,50	89,20	56,00	42,50	35,00	30,10	25,90	20,70	17,90	9,80
10.80V	352,8	250,80	213,60	193,80	148,40	111,70	93,60	58,20	43,90	36,00	30,80	26,60	21,20	18,20	10,00
10.50V	417,6	290,40	244,00	217,80	163,20	120,80	100,20	61,70	46,40	37,70	32,00	27,50	21,90	18,60	10,20
10.20V	492,0	333,60	271,20	234,60	174,80	128,30	106,00	65,40	48,30	39,00	33,00	28,50	22,50	19,00	10,30
9.90V	532,8	354,00	283,20	244,20	181,60	132,80	110,00	67,10	49,90	39,90	33,70	28,90	22,90	19,30	10,40
9.60V	595,2	388,80	304,80	264,60	194,40	142,70	116,80	69,80	51,90	41,40	34,70	29,60	23,30	19,60	10,60

Constant Power Discharge Characteristics (Watt / Battery, 25°C)

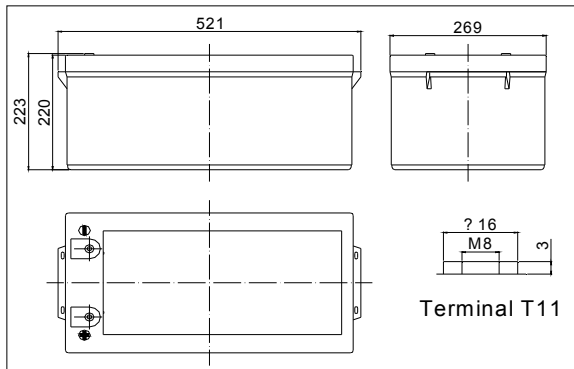
FV / TIME	5min	10min	15min	20min	30min	45min	1h	2h	3h	4h	5h	6h	8h	10h	20h
10.98V	3604,20	2622,00	2250,60	2070,60	1618,20	1234,80	1039,20	655,20	498,00	412,20	355,20	307,80	246,60	213,60	117,00
10.80V	3922,20	2803,20	2400,60	2196,60	1699,80	1290,60	1087,80	679,80	514,80	423,00	363,60	314,40	252,00	217,80	119,40
10.50V	4547,40	3188,40	2704,20	2441,40	1852,20	1384,80	1158,60	717,60	542,40	441,60	376,20	324,60	259,80	222,00	121,80
10.20V	5251,80	3603,00	2964,60	2601,00	1966,80	1459,80	1218,60	757,20	563,40	455,40	387,00	335,40	267,00	226,80	123,00
9.90V	5587,80	3763,80	3048,60	2677,20	2022,00	1501,20	1257,60	772,80	578,40	465,00	394,20	340,20	270,60	229,20	124,20
9.60V	6121,20	4054,20	3228,00	2868,60	2143,80	1600,80	1327,80	800,40	598,80	481,20	405,00	346,80	274,80	233,40	126,00

RPower GELOGiV122400L (12V 240Ah GEL Battery)

Floating Life at 20°C designed for up to 12 years

EAN: 4260123683412

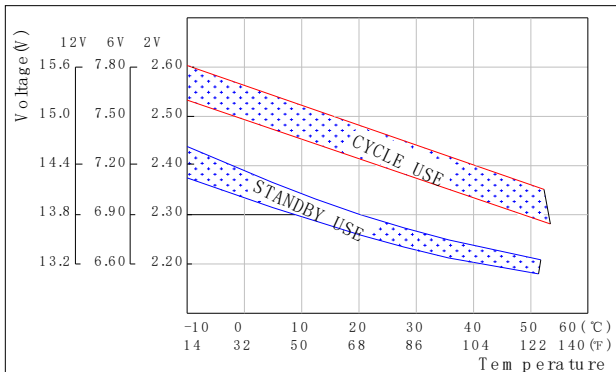
Dimensions



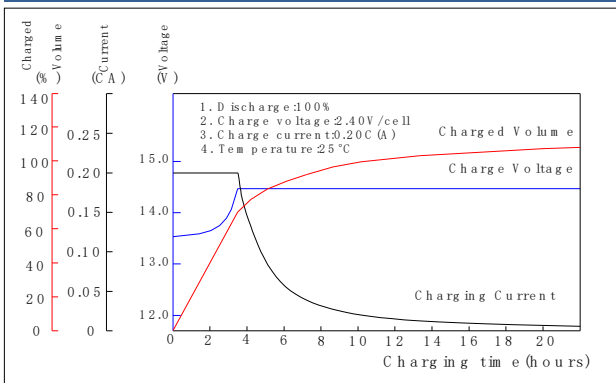
Specifications

Nominal Voltage		12V
Capacity (20hr@25°C@1.80V/C)		240Ah
Dimensions (±2mm)	Length	522mm (20.6inch)
	Width	268mm (10.6inch)
	Height	220mm (8.66inch)
	Total Height	226mm (8.90inch)
Approx. Weight		77.70kg (171.3lbs)
Maximum charging current		60A
Maximum discharge current		1.960A (5sec.)
Internal resistance		Approx. 3mΩ
Capacity affected by temperature (10hr)	40°C	103%
	25°C	100%
	0°C	88%
	-15°C	70%
Self-discharge (25°C)	3 month	Remaining Capacity: 94%
	6 month	Remaining Capacity: 88%
	12 month	Remaining Capacity: 75%
Nominal operating temperature		25°C ±3°C (77°F±5°F)
Operating temperature range		-20°C~55°C (-4°F~131°F)
Float charging voltage (25°C)		13.65 to 13.80V
Cyclic charging voltage (25°C)		14.40 to 15.00V
Terminal material		Copper

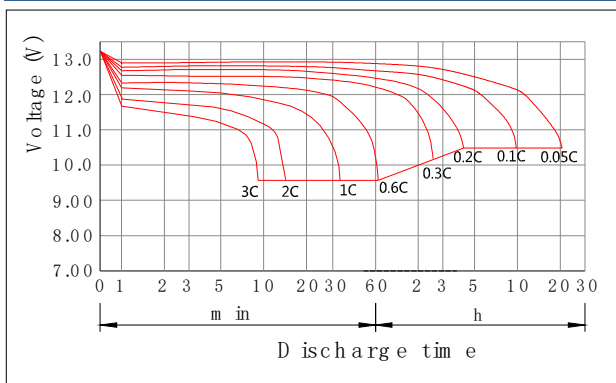
The Relationship for Charging Voltage and Temperature



Charging Characteristics (25°C)



Discharge Characteristics (25°C)



Constant Current Discharge Characteristics (Ampere / Battery, 25°C)

FV / TIME	5min	10min	15min	20min	30min	45min	1h	2h	3h	4h	5h	6h	8h	10h	20h
10.98V	385,9	279,40	238,60	217,80	168,70	127,80	107,00	67,20	51,00	42,00	36,10	31,10	24,80	21,40	11,80
10.80V	423,4	301,00	256,30	232,60	178,10	134,10	112,30	69,80	52,70	43,20	37,00	31,90	25,40	21,90	12,00
10.50V	501,1	348,50	292,80	261,40	195,80	145,00	120,20	74,00	55,70	45,20	38,40	33,00	26,20	22,30	12,20
10.20V	590,4	400,30	325,40	281,50	209,80	153,90	127,20	78,50	58,00	46,70	39,60	34,20	27,00	22,80	12,40
9.90V	639,4	424,80	339,80	293,00	217,90	159,40	132,00	80,50	59,80	47,90	40,40	34,70	27,40	23,10	12,50
9.60V	714,2	466,60	365,80	317,50	233,30	171,20	140,20	83,80	62,20	49,70	41,70	35,60	27,90	23,60	12,70

Constant Power Discharge Characteristics (Watt / Battery, 25°C)

FV / TIME	5min	10min	15min	20min	30min	45min	1h	2h	3h	4h	5h	6h	8h	10h	20h
10.98V	4325,40	3146,40	2701,20	2484,60	1941,60	1482,00	1247,40	786,00	598,20	494,40	426,60	369,00	295,80	256,20	141,00
10.80V	4707,00	3364,20	2880,60	2635,80	2040,00	1548,60	1305,60	815,40	617,40	507,60	436,20	377,40	302,40	261,60	143,40
10.50V	5457,00	3826,20	3244,80	2929,20	2223,00	1662,00	1390,20	861,60	651,00	530,40	451,80	390,00	311,40	266,40	146,40
10.20V	6301,80	4323,60	3558,00	3121,20	2359,80	1752,00	1462,80	909,00	675,60	546,00	464,40	402,60	320,40	272,40	148,20
9.90V	6705,60	4516,20	3658,20	3212,40	2426,40	1801,80	1509,00	927,60	694,20	558,00	472,80	408,00	324,60	274,80	149,40
9.60V	7345,20	4865,40	3873,60	3442,80	2572,80	1920,60	1593,60	960,60	718,80	577,20	486,00	416,40	329,40	280,20	151,20